



扫一扫 关注更多品牌信息  
Sweep the More concerned  
about brand information



门控产品电子图册  
Gated products Electronic Atlas

EDITION: B-21

FOR MORE INFORMATION,PLEASE VISIT  
OUR WEBSITE

[www.draho.cn](http://www.draho.cn)

广东展宏建筑五金有限公司

地址: 广东省佛山市南海区里水鹤峰官和路19号 邮编: 528244

电话: +86-757-8560 6958、8563 9791 传真: +86-757-8563 9638

网址: [www.draho.cn](http://www.draho.cn) 邮箱: [draho@draho.cn](mailto:draho@draho.cn)

GUANGDONG DRAHO CONSTRUCTION HARDWARE CO., LTD.

Add: No.19, Guanhe Hefeng Road, Lishui Town, Nanhai

District, Foshan City, Guangdong Province, China P.C. 528244

Tel: +86-757-8560 6958 Fax: +86-757-8563 9638

Web: [www.draho.cn](http://www.draho.cn) E-mail: [draho@draho.cn](mailto:draho@draho.cn)

展宏 DRAHO

# DOOR CONTROL PRODUCTS

门控产品画册

展宏 DRAHO<sup>®</sup>  
ARCHITECTURAL HARDWARE

通过 ISO-9001 认证



DOOR AND WINDOW ACCESSORIES OF QUALITY TECHNOLOGY PROVIDER  
门窗配件优质技术提供商



**FINE HARDWARE  
PRODUCTS OF DRAHO  
GUARANTEE HIGH-  
QUALITY  
PROJECTS**

— 1995

— 2021

展宏精细五金 成就优质工程



World High-quality Hardware Technology Supplier  
世界五金优质技术提供商

## COMPANY INTRODUCTION

企业简介

展宏公司创立于1995年，坐落于美丽的珠江三角洲腹地佛山市南海区工业重镇。是一家致力于研发、生产、销售高品质的铝合金门窗五金系列、塑钢门窗五金系列、门控五金系列和玻璃幕墙五金系列等建筑五金的品牌企业。展宏公司拥有专业的设计团队和现代化生产工艺，为客户提供优质的建筑五金解决方案，还为消费者提供差异化产品解决方案等专业的配套服务，全面提升用户体验，满足用户的多种需求。

在二十六年的行业发展中，展宏一直以“成为世界五金优质技术提供商”为使命，凭着的是对产品质量严格要求和“快速反应，立即行动，真诚面向客户”的理念。

为了提升产品质量及工艺水平，展宏在原有选料优良、工艺精湛的基础上，积极与各大高等院校共同研发适合建筑五金使用的专业生产设备，采用全自动机械生产，在保证产品质量的同时提升生产速度。每项产品都经过展宏检验中心对其耐用度、盐雾腐蚀、扭力、拉力、紫外线耐候、光谱元素等严格检测，确保展宏产品各项性能均达到国家标准。因此，展宏产品先后通过了中国、英国、新加坡等国家的质量标准认证。

展宏产品时尚舒适、经久耐用。展宏人秉承“服务每一件小事就是我们的大事”的观念，用效率精细地做好每一件事。

为使每一位用户放心使用展宏产品，展宏公司建立客户档案系统、顾客调研制度和回访制度，提供专属客服人员。无论何时，客户都能了解合作的进展，清楚掌握每一个细节，轻松、舒心地享受展宏提供的优质建筑五金解决方案。因此在国内，展宏产品遍及华北、华东、华南、西南、西北等广大地域并远销马来西亚、印度尼西亚、新加坡和美国等20多个国家和地区，得到国内外门窗公司及地产项目广泛使用，得到客户和社会的肯定。

展宏自从进入建筑五金行业起，便确立“以创新优质的产品紧随市场”的核心价值观。在展宏二十六年的发展过程中，形成了独特的企业文化——志存高远、务实稳健、拼搏进取，成为任何一个建筑工程企业可靠的、值得信赖的五金技术优质提供商，创百年展宏，为人类创造舒适的居住环境、为社会创造价值、为促进社会进步提供高品质产品。

DRAHO door&window and glass-wall fittings Co., LTD. was founded in 1995, is located in the beautiful hinterland of the Pearl River Delta, Nanhai District, Foshan City, industrial city. Is a commitment to research and development, production and sales of high-quality aluminum doors and windows hardware series, steel doors and windows hardware series, gated hardware series and glass curtain wall hardware series, such as building hardware brand enterprises. DRAHO company has a professional design team and modern production technology, to provide customers with high-quality architectural hardware solutions, but also to provide consumers with differentiated product solutions and other professional support services, comprehensively enhance the user experience to meet the diverse needs of users.

During the industry development for 26 years, DRAHO always aims at "becoming a world supplier of high quality hardware technology", with following strict requirements for product quality and the concept of Cquick response, immediate action and true to customers".

In order to improve product quality and technological level, DRAHO makes active research and development on professional production equipments suitable for architectural hardware with colleges and universities on the basis of excellent original material selection and exquisite workmanship. It adopts full-automatic machinery production, ensures product quality and enhances productivity simultaneously. DRAHO testing center conducts strict tests upon each product in the respects of durability, salt-spray corrosion, twisting force, tensile force, UV weatherability and spectrum elements, and makes sure that all performance of draho products meet national standards. Therefore, the products of DRAHO have passed the quality standard certification in China, Britain and Singapore successively.

DRAHO products are stylish, comfortable and durable in use; DRAHO staff adheres to the idea of "serving to every little thing is exactly our great event" and completes everything efficiently and carefully.

In order to make sure that all users safely use the products of draho, the Company has established customer file system, client survey system and feedback system, as well as supplies exclusive service staff. The customers can keep updated on cooperation progress at any time, clearly know every detail and enjoy high quality architectural hardware solutions provided by draho easily and comfortably. Hence, DRAHO products have spread across North China, East China, South China, Southwest China and Northwest China, and exported to more than twenty countries and regions, such as Malaysia, Indonesia, Singapore and United States, which are widely used by domestic and foreign door & window companies and real estate projects and approved by customers and society.

Since entering architectural hardware industry, DRAHO has established the core value of "follow the pace of market with creative and high quality products". In the development process for 26 years, DRAHO has built up the corporate culture as follows: ambitious, pragmatic and hardworking; becoming a fine quality supplier of hardware technology which is credible and trustworthy to any construction enterprises, achieving hundred-year draho, supplying high quality products in order to build comfortable residential environment for people, create value for society and promote social progress.

# CONTENTS 目录

Door control products  
门控五金产品系列

---

|          |   |         |
|----------|---|---------|
| <b>A</b> | Floor Spring Series<br>地弹簧系列                  | 04 / 11 |
| <b>B</b> | Door Closer Series<br>闭门器系列                   | 12 / 38 |
| <b>C</b> | Handle Series<br>拉手系列                         | 39 / 49 |
| <b>D</b> | Central Lock Series<br>玻璃门夹系列                 | 50 / 58 |
| <b>E</b> | Lock, Axis Series<br>玻璃锁夹、门锁系列                | 59 / 64 |
| <b>F</b> | Automatic Induction Machine Series<br>自动感应门系列 | 65 / 74 |



## FLOOR SPRING SERIES

地弹簧系列

**恒久，卓越品质**

Strive for Excellent Quality Forever

在工艺、设计、生产上精益求精，以独特的时尚简约态度，  
体现于“用品质捍卫尊严”的设计理念。

Achieve excellence in process, design and production,  
Through unique, fashion and simple perspective,  
Reflect the design philosophy of "defend dignity with good quality".

## About Floor Spring 关于地弹簧

### 产品说明 Instruction

地弹簧是安装在平开门门扇下部，实现自动关闭力扇的装置。地弹簧开启方式有双向开启和单向开启两种。地弹簧能承担门扇的重量，可与门夹配合使用。地弹簧由上下两部分组成，其上部结构为门顶轴和轴套，下部结构为回转轴杆和底座。

Swing to the door leaf spring is installed in the lower part, the device automatically close doors. Two-way opening way to spring open and two single turn. In the spring to take the weight of the door leaf may be applied with doors. To spring in the upper and lower parts, the top of the upper structure of the door shaft and sleeve, the lower part of the structure of rotary rod and base.

### 适用范围 Scope of Application

适用于单向及双开启的玻璃平开门或普通木门，也可视情况安装在门扇上边框。

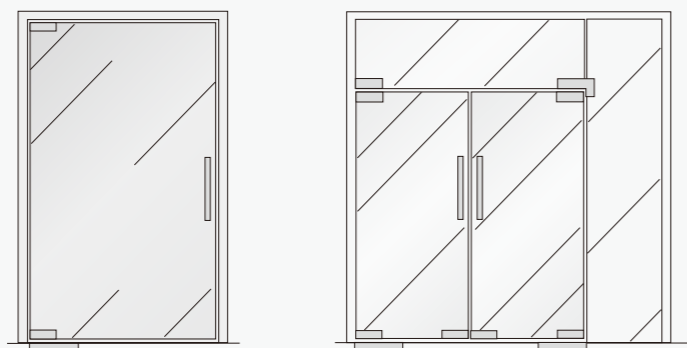
For one-way and two open doors or ordinary glass doors of Kaiping, also depending on the circumstances installed on the door frame.

### 功能作用 To the Role of the Spring

- 1、控制门的开启，闭合，为使用者提供方便。
- 2、确保门的锁定装置（机械锁，电锁）正常工作。

- 1、Control to open the door, close, convenient for users.
- 2、Ensure that the door locking device (mechanical locks, power locks) work.

### 装配说明 Special Requirements



钢化玻璃重量计算表 Toughened Glass Weight Computation Table

|  |      |      |      |      |      |
|--|------|------|------|------|------|
|  |      |      |      |      | 19   |
| 玻璃厚度 (mm) The thickness of the glass   | 8    | 10   | 12   | 16   | 48.6 |
| 玻璃重量 (kg/m <sup>2</sup> ) Glass weight | 20.5 | 25.6 | 30.7 | 40.9 |      |

门扇重量和推拉门扇宽度 Door Leaf Weight and Sliding Door to Door Width

|                                  |       |     |     |      |      |      |      |      |      |
|----------------------------------|-------|-----|-----|------|------|------|------|------|------|
| 门合力级别 Door Resultant Force Level | 1     | 2   | 3   | 4    | 5    | 6    | 7    | 8    | 9    |
| 门扇最大重量(kg) Doors Maximum Weight  | 20    | 40  | 60  | 80   | 100  | 120  | 160  | 180  | 250  |
| 门扇宽度(mm) Door Leaf Width         | < 750 | 850 | 950 | 1100 | 1200 | 1250 | 1400 | 1500 | 1600 |

## About Floor Spring 关于地弹簧

### 注意事项 Notes

选用主要依据门宽、门重，并结合工程实际情况，选用不当会影响到使用效果及产品寿命

玻璃门重 (kg) = 面积 (m<sup>2</sup>) × 门厚 (mm) × 2.56 (密度)

整扇门重 (kg) = 玻璃门重 + 所有配件重量

Floor hinge type selection: according to width, weight of door and the actual condition of each, improper match will affect its effect and the life span

Weight of glass door (kg) = area (m<sup>2</sup>) × thickness (mm) × 2.56 (density)

The weight of the whole door (kg) = weight of the glass door + weight of all the accessories

### 特殊要求 Special Requirements

**定位:** 此功能不可用于防火门。

**缓冲:** 是为了缓冲防止门因被猛烈开启可能造成的撞击。

**延时关门:** 从开门角度90°至延时末端65°开门角度经过时间大于10s。

**安全阀:** 当门在猛力冲击时，消除阻力以减少危险。

**防火门:** 可共用于左右的方向，只适合在单向防火门，配铜芯铰链。

**门安装:** 为了防抗外来风压，需选大一号力。

**Location:** This feature is not available for fire doors.

**Buffer:** Due to the buffer to prevent the door being opened may result in severe shock.

**Closing delay:** From the opening angle of 90° to 65° opening angle of delay after the end of time is greater than 10s.

**Safety valve:** When the door violently shock, eliminate resistance to reduce the risk.

**Fire doors:** Can be used for a total of about direction; only suitable for fire doors in the way, with Dong heart hinge.

**Outside the doors:** In order to prevent anti-foreign pressure, need to choose a bigger force.

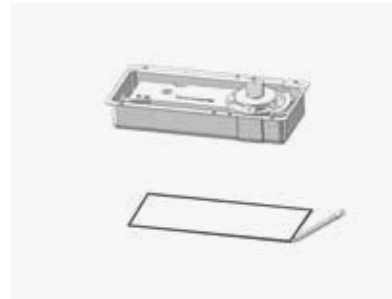
### 选用建议 Suggestions on Floor Spring Selection

- 1、地弹簧的选用主要是针对玻璃门的重量来选择不同型号的地弹簧。
- 2、将所有配件重量加上玻璃的重量得出整扇门的重量。
- 3、过轻的玻璃门如选用承重太大的地弹簧时，既增加门扇成本，也因过重不能得到开门效果。
- 4、为节省工程造价而选用承重力不足的地弹簧时，也会直接影响地弹簧的使用寿命。
- 5、针对室外门扇，考虑到外来风力因素，不论门扇大小，都应选用双缸地弹簧。
- 6、寒冷地区应选用已注入防冻液压油的地弹簧，防止因温度太低使地弹簧不能正常运作。

- 1、Selection of different models of floor spring is mainly based on glass door weight.
- 2、The weight of the entire door can be got by adding up the weight of all increase and the weight of glass.
- 3、If heavy-duty floor spring is chosen for a light-weight glass door, the cost will increase, and you cannot obtain good opening effect because it is heavy-duty.
- 4、If floor spring with inadequate weight bearing is chosen to reduce project costs, it will directly influence service life of floor spring.
- 5、For an outside door, taking wind power into consideration, twin-cylinder floor spring should be chosen regardless of door sizes.
- 6、In cold area, floor spring with anti-freeze hydraulic oil injected should be chosen, so as to event malfunction of floor spring at a very low temperature.

About Floor Spring  
关于地弹簧

安装步骤 Installation Case Diagram



A. 使用铅笔在所安装地弹簧的地方，勾画出将要安装地弹簧的实际面积；  
Using a pencil in the need to install ground bed floor spring place, delineate will install ground bed floor spring actual area;



B. 使用切割机械，沿线切割出空位；  
Use along the cutting machine, cutting into space;



C. 把地弹簧直接放入；  
The ground bed floor spring directly into;



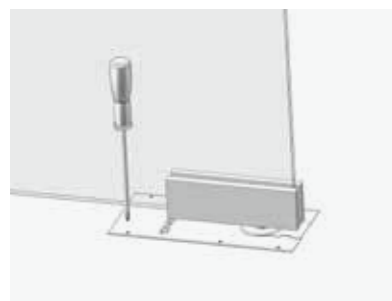
D. 依次把装上玻璃的门夹，对准地弹簧的凸轮，进行组合安装；  
By mount glass door clamp, alignment of CAM, floor spring combined installation;



E. 利用配套工具，扭动地弹簧两侧的定位螺丝，进行左右微调；  
Using auxiliary tools, twist floor spring on either side of the positioning screw, about fine tuning;

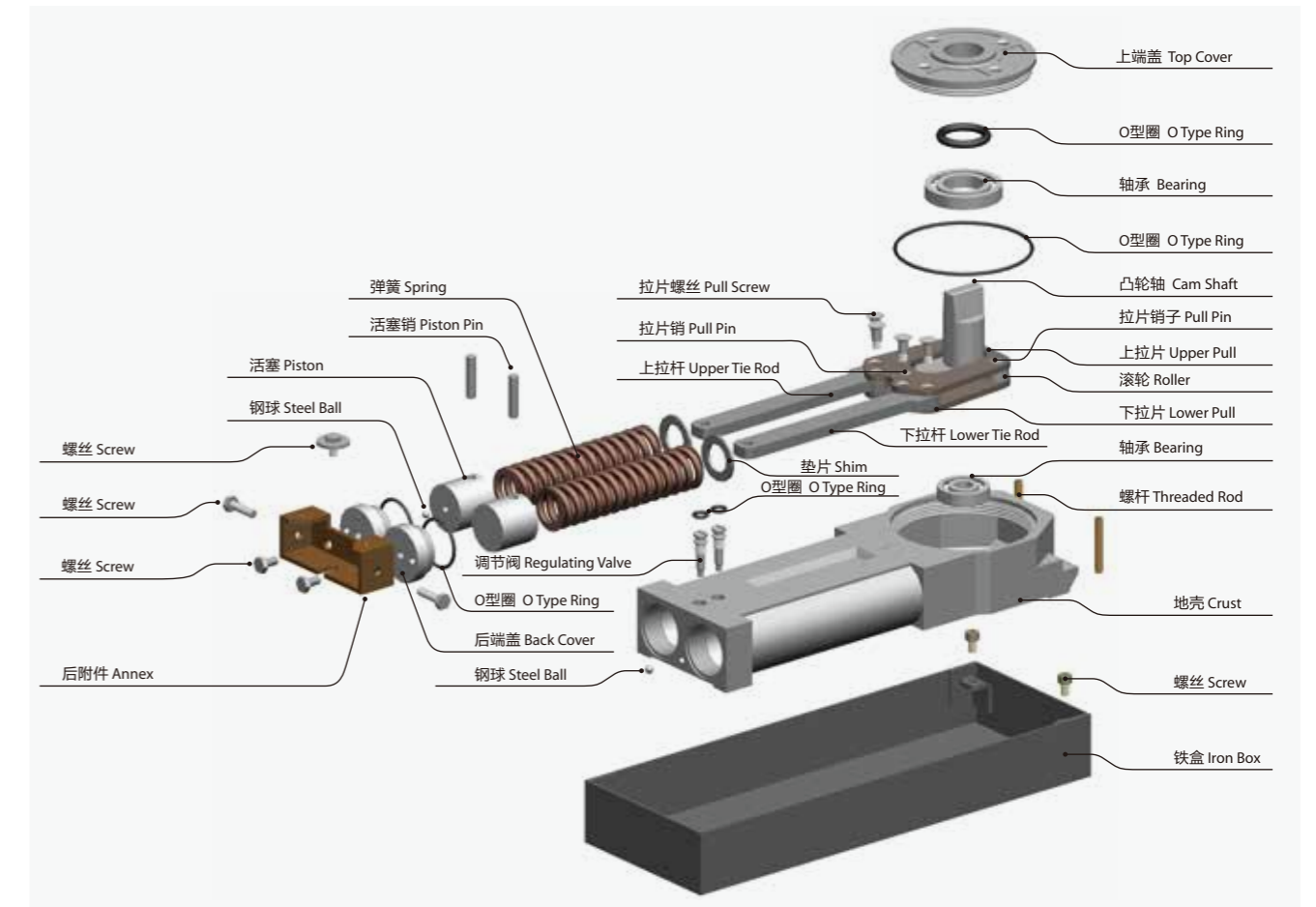


F. 利用螺丝刀，扭动地弹簧尾端的螺丝，进行上下微调；  
Using screwdriver, twist floor spring tail screws, carries on the fluctuation fine-tuning;



G. 把装饰盖板盖上，上螺丝，完成地弹簧安装。  
The decorative plate cover, screw, complete bed floor spring installation.

About Floor Spring  
关于地弹簧



产品特点 Products Features

- 科学实验测试，运转50万次后经国家技术监督部门鉴定，品质稳定运转正常
- 通过QB/T2697-2013地弹簧标准检测
- 304不锈钢装饰面板经久耐用不变形
- 采用低温防冻液压油、极端温度环境下可保持良好性能
- 适用于双向开启，单向开启可通过增加其他配套产品实现
- 根据使用要求，可选择驻持或无驻持功能
- 具有全方位调节功能，安装更为便捷
- 适用于木门、玻璃门、金属门、有框门等门型

- Which are in stable quality and normal operation identified by the national technology departments after scientific tests and 500 thousand operations.
- Meet national code QB/T 2697-2013
- 304 stainless steel is adopted for decorating panel to ensure the durability and non-deformation.
- Low-temperature and anti-freezing hydraulic oil is adopted to maintain the good performance at extreme temperature.
- Suit for double-open door Besides of this, the function of single-open can be achieved by additional accessories.
- According to the requirement, can choose to hold or not in a function.
- It can be adjusted from three direction, so the installation will be more convenient.
- Suit for all kinds of doors, such as wooden door, metal door, glass door and framed door.

Floor Spring Series  
地弹簧系列

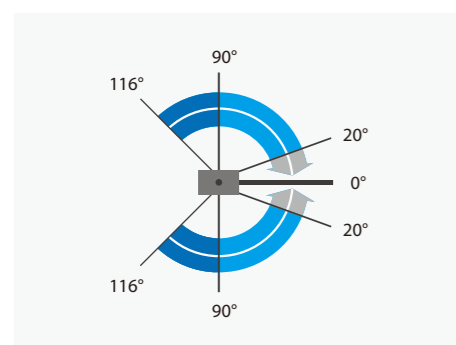
# DH-DTH90A



## 技术参数 Technical Data

|   |              |                                |                       |
|---|--------------|--------------------------------|-----------------------|
| 外型尺寸 (长×宽×高):<br>Dimension (length x width x height): | 267×123×47mm | 调速控制:<br>Speed control:        | 两段调速<br>Two speed     |
| 承重量 (KG):<br>Bearing the weight (KG):                 | 90kg         | 主体结构:<br>Main structure:       | 单缸<br>Single cylinder |
| 适用门尺寸 (宽×高):<br>Apply door size (width x height):     | 880×2300mm   | 适用温度:<br>Suitable temperature: | -30℃~50℃              |
| 最大开启度数:<br>Maximum opening Angle:                     | 116°         | 闭门力:<br>Maximum opening Angle: | 15N.m                 |
| 定位角度:<br>Location degree:                             | 90°          | 寿命:<br>Location degree:        | > 500,000             |
| 开启方向:<br>Speed: Two stage adjustable speeds           | 双向开启型        | 通过认证:<br>Authentication:       | QBT-2697-2005         |

## 门扇调节 Door adjustment



- 1速关闭 1 speed off
  - 2速关闭 2 speed off
  - 缓冲区 Buffer zone
- 90° -20° 关门阶段  
90° -20° Closing stages  
20° - 0° 闭锁阶段  
20° - 0° latching stage  
两段式速度关闭可调  
Two-stage speed off adjustable

Floor Spring Series  
地弹簧系列

## 可选配件 Optional Accessories

上枢轴座 Top pivot seat



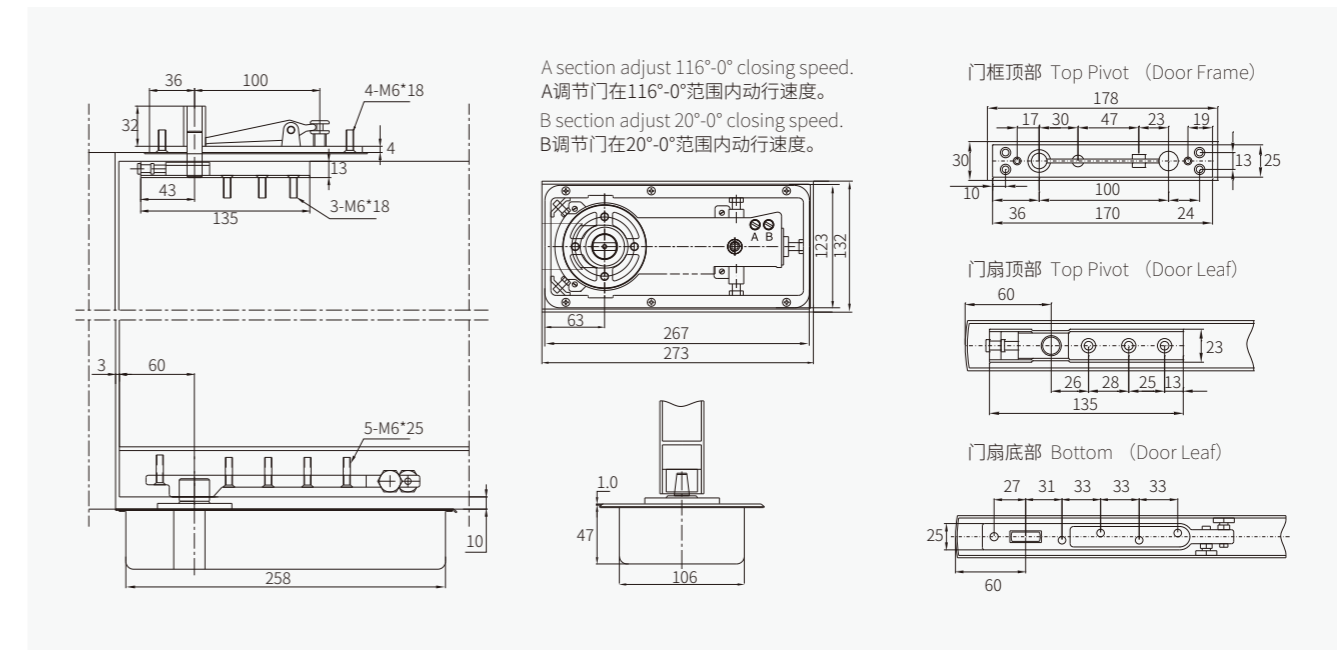
枢轴底座 Pivot bottom seat



中心摇臂 Center pivoted arm



## 外形尺寸 Dimension



## 功能特点 Products Features

- 传动配件采用优质特种钢材，意大利油封使用寿命达到50万次以上。
- 采用单缸设计，开门力度更轻，闭门速度更稳，使用寿命更长。
- 内置减压阀，防止因外来强压或强风状态下闭门而造成的地弹簧损坏或漏油。
- 通用型设计，适合左、右手及单双向开启门扇。
- 采用低温防冻液压油，保证在零下30℃气温下不会影响闭门速度。
- 铁盒中可调长度5mm、宽度5mm，在校准零位时可纵向调节±2°，使产品安装时更加方便。

- Drive accessories use high quality steel, Italy oil seal can be useful more than 5000000 times.
- With single-cylinder design, lighter force open the door, closing speed is morstable, longer durability.
- Inside pressure reducing value: using to prevent the destruction of the floor spring or oil leakage on occasions that the door is closed by strong pressure or wind force.
- Normal design, suitable for left or right hand to door in single and both sides.
- Use low temperature frostbite hydraulic oil, ensuring the normal door-closing speed when the temperature is thirty degree below zero degree.
- For cement container, 5mm adjustable in lenght and width, and 2 degree vertically adjustable when the calibration is zero.

Floor Spring Series  
地弹簧系列

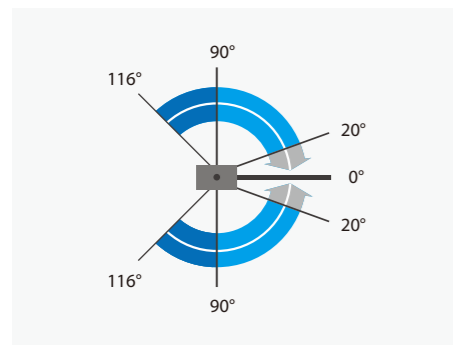
## DH-DTH120



### 技术参数 Technical Data

|   |              |                                |                       |
|---|--------------|--------------------------------|-----------------------|
| 外型尺寸 (长×宽×高):<br>Dimension (length x width x height): | 298×135×50mm | 调速控制:<br>Speed control:        | 两段调速<br>Two speed     |
| 承重量 (KG):<br>Bearing the weight (KG):                 | 120kg        | 主体结构:<br>Main structure:       | 单缸<br>Single cylinder |
| 适用门尺寸 (宽×高):<br>Apply door size (width x height):     | 1100×2500mm  | 适用温度:<br>Suitable temperature: | -30℃~50℃              |
| 最大开启度数:<br>Maximum opening Angle:                     | 116°         | 闭门力:<br>Maximum opening Angle: | 25N.m                 |
| 定位角度:<br>Location degree:                             | 90°          | 寿命:<br>Location degree:        | > 500,000             |
| 开启方向:<br>Speed: Two stage adjustable speeds           | 双向开启型        | 通过认证:<br>Authentication:       | QBT-2697-2005         |

### 门扇调节 Door adjustment



- 1速关闭 1 speed off
  - 2速关闭 2 speed off
  - 缓冲区 Buffer zone
- 90° -20° 关门阶段  
90° -20° Closing stages  
20° - 0° 闭锁阶段  
20° - 0° latching stage  
两段式速度关闭可调  
Two-stage speed off adjustable

Floor Spring Series  
地弹簧系列

### 可选配件 Optional Accessories

上枢轴座 Top pivot seat



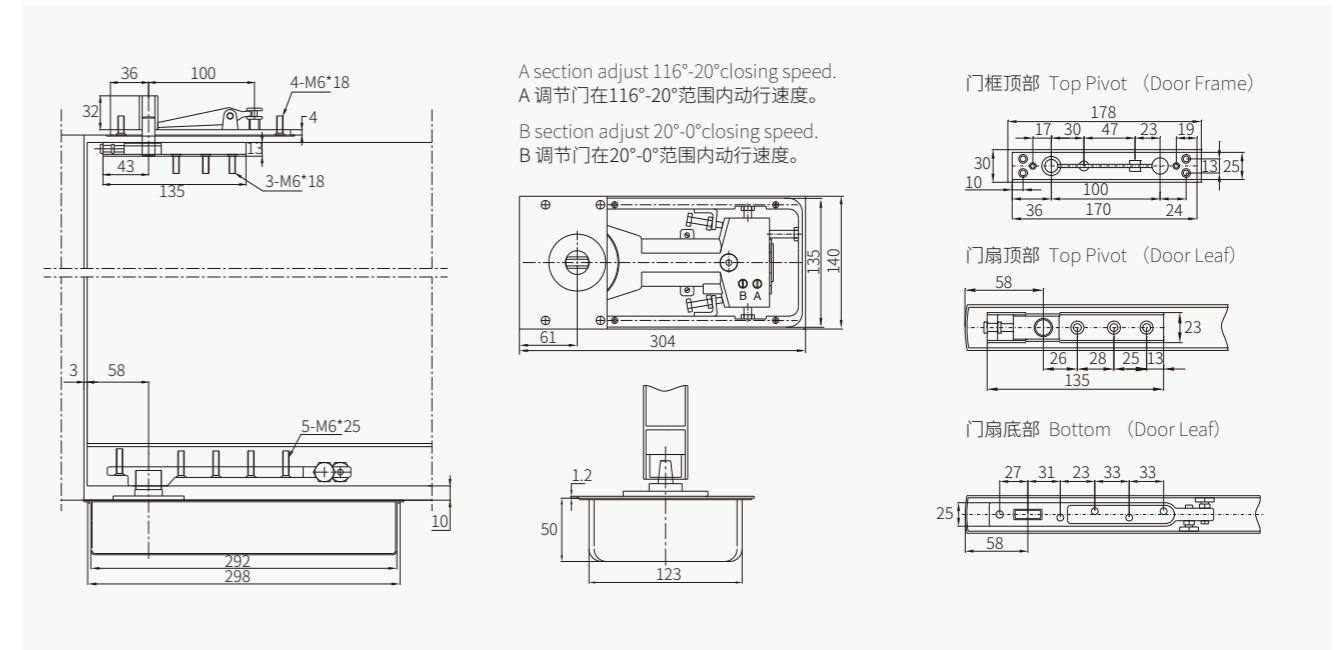
枢轴底座 Pivot bottom seat



中心摇臂 Center pivoted arm



### 外形尺寸 Dimension



### 功能特点 Products Features

- 传动配件采用优质特种钢材，意大利油封使用寿命达到50万次以上。
- 采用单缸设计，开门力度更轻，闭门速度更稳，使用寿命更长久。
- 内置减压阀，防止因外来强压或强风状态下闭门而造成的地弹簧损坏或漏油。
- 通用型设计，适合左、右手及单双向开启门扇。
- 采用低温防冻液压油，保证在零下30℃气温下不会影响闭门速度。
- 铁盒中可调长度5mm、宽度5mm，在校准零位时可纵向调节±2°，使产品安装时更加方便。

- Drive accessories use high quality steel, Italy oil seal can be useful more than 5000000 times.
- With single-cylinder design, lighter force open the door, closing speed is morstable, longer durability.
- Inside pressure reducing value: using to prevent the destruction of the floor spring or oil leakage on occasions that the door is closed by strong pressure or wind force.
- Normal design, suitable for left or right hand to door in single and both sides.
- Use low temperature frostbite hydraulic oil, ensuring the normal door-closing speed when the temperature is thirty degree below zero degree.
- For cement container, 5mm adjustable in lenght and width, and 2 degree vertically adjustable when the calibration is zero.



Floor Spring Series  
地弹簧系列

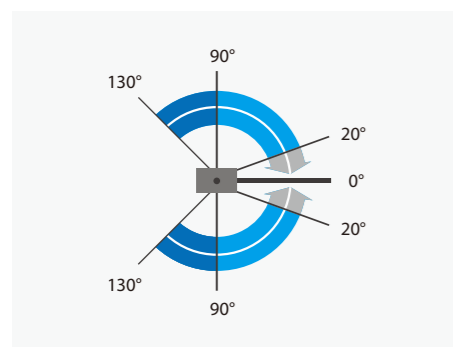
## DH-DTH150



### 技术参数 Technical Data

|   |              |                                |                       |
|---|--------------|--------------------------------|-----------------------|
| 外型尺寸 (长×宽×高):<br>Dimension (length x width x height): | 306×108×41mm | 调速控制:<br>Speed control:        | 两段调速<br>Two speed     |
| 承重量 (KG):<br>Bearing the weight (KG):                 | 150kg        | 主体结构:<br>Main structure:       | 单缸<br>Single cylinder |
| 适用门尺寸 (宽×高):<br>Apply door size (width x height):     | 1150×2500mm  | 适用温度:<br>Suitable temperature: | -30℃~50℃              |
| 最大开启度数:<br>Maximum opening Angle:                     | 130°         | 闭门力:<br>Maximum opening Angle: | 35N.m                 |
| 定位角度:<br>Location degree:                             | 90°          | 寿命:<br>Location degree:        | > 500,000             |
| 开启方向:<br>Speed: Two stage adjustable speeds           | 双向开启型        | 通过认证:<br>Authentication:       | QBT-2697-2005         |

### 门扇调节 Door adjustment



- 1速关闭 1 speed off
  - 2速关闭 2 speed off
  - 缓冲区 Buffer zone
- 90° - 20° 关门阶段  
90° - 20° Closing stages  
20° - 0° 闭锁阶段  
20° - 0° latching stage  
两段式速度关闭可调  
Two-stage speed off adjustable

Floor Spring Series  
地弹簧系列

### 可选配件 Optional Accessories

上枢轴座 Top pivot seat



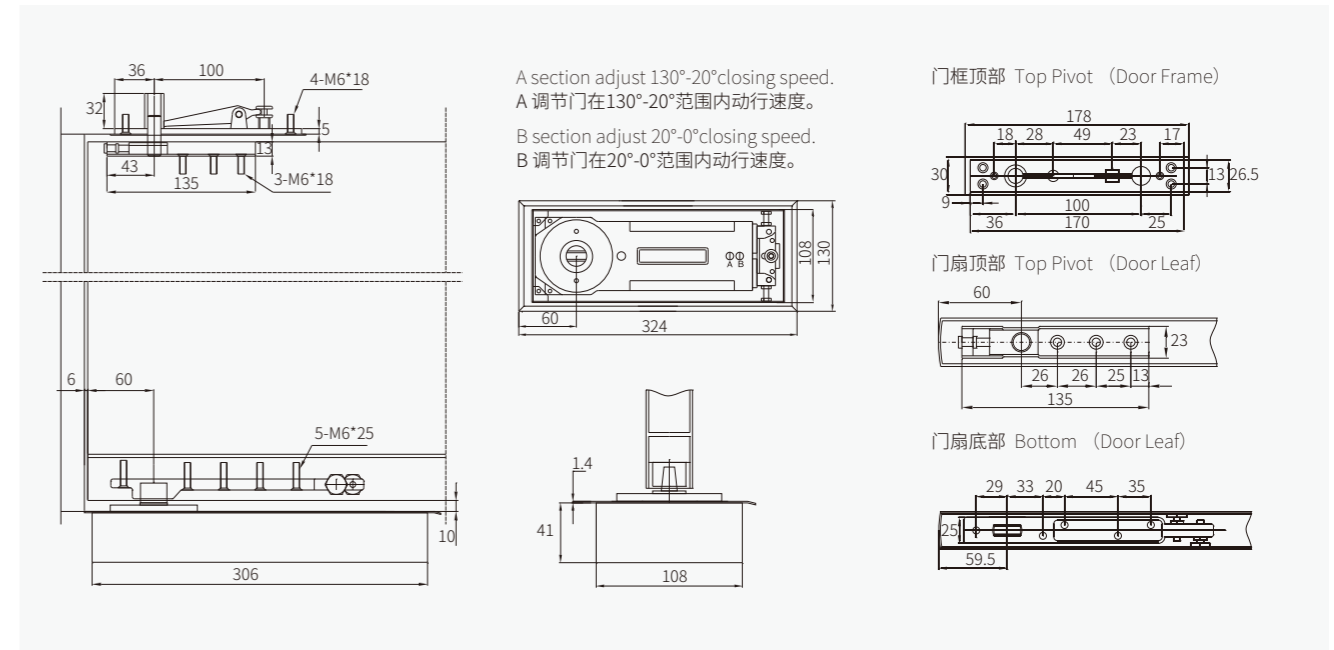
枢轴底座 Pivot bottom seat



中心摇臂 Center pivoted arm



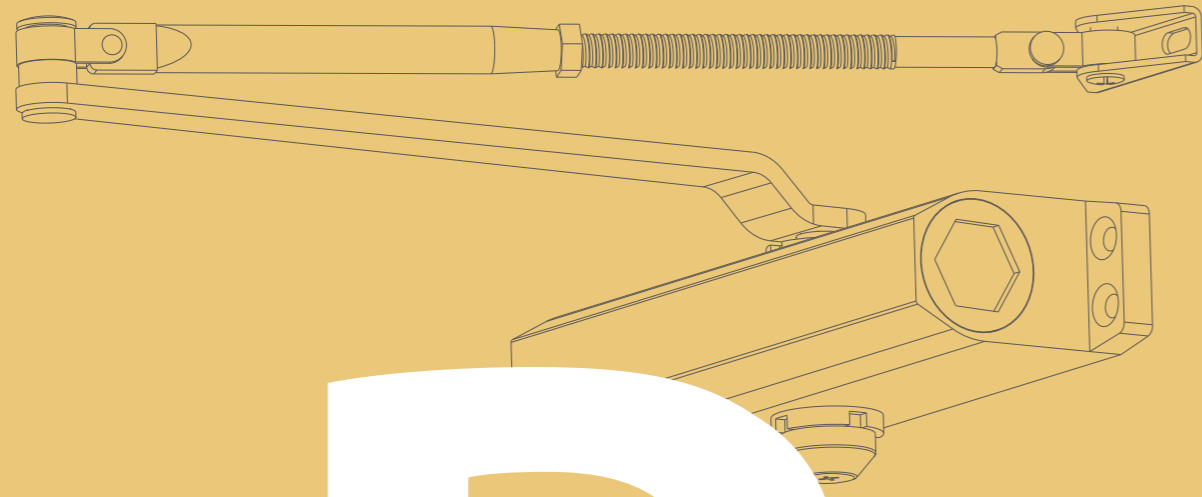
### 外形尺寸 Dimension



### 功能特点 Products Features

- 传动配件采用优质特种钢材，意大利油封使用寿命达到50万次以上。
- 采用单缸设计，开门力度更轻，闭门速度更稳，使用寿命更长。
- 内置减压阀，防止因外来强压或强风状态下闭门而造成的地弹簧损坏或漏油。
- 通用型设计，适合左、右手及单双向开启门扇。
- 采用低温防冻液压油，保证在零下30℃气温下不会影响闭门速度。
- 铁盒中可调长度5mm、宽度5mm，在校准零位时可纵向调节±2°，使产品安装时更加方便。

- Drive accessories use high quality steel, Italy oil seal can be useful more than 5000000 times.
- With single-cylinder design, lighter force open the door, closing speed is morstable, longer durability.
- Inside pressure reducing value: using to prevent the destruction of the floor spring or oil leakage on occasions that the door is closed by strong pressure or wind force.
- Normal design, suitable for left or right hand to door in single and both sides.
- Use low temperature frostbite hydraulic oil, ensuring the normal door-closing speed when the temperature is thirty degree below zero degree.
- For cement container, 5mm adjustable in lenth and width, and 2 degree vertically adjustable when the calibration is zero.



# D DOOR CLOSER SERIES

闭门器系列

## 苛刻，只为更好

Rigor is for Better Quality

只有优质的材料，才能进入展宏的视野。苛刻的选材标准是我们始终坚持的理念。  
严格的选材，才能保障高端产品的品质。

DRAHO only selects high-quality materials, We are committed to being rigorous in material selection, Only rigorous standards, Can ensure the high quality.

### 适用范围 Scope of Application

为了使手动开启的平开木质门、金属门、塑钢门或玻璃门自行关闭，必须使用闭门器。

如果闭门器的闭合功能不再达到满意及安全的效果，则应更换。

在任何情况下都应当避免发生如下情况：

- 将闭门器用于强迫闭门以外的用途；
- 闭门功能受到严重阻碍，例如：门刮地、密封胶条阻碍或极难关闭的锁具；
- 错误或不正确的安装及调节，例如：撞击关门现象；
- 错误选择闭门器型号或闭合合力；
- 手或者身体伸放于门扇及门框之间（夹伤危险）。

In order to manually open the flat after the opening wooden doors, metal doors, steel doors or glass doors forced itself off, you must use the door closer.

If the closed door closer and safety features are no longer satisfactory results, should be replaced.

Under no circumstances should avoid the following:

- The camera is used for purposes other than forced behind closed doors.
- Camera function has been seriously hampered, for example: door scraping, the sealing strip is extremely difficult to obstruct or close the lock.
- Errors or incorrect installation and adjustment, such as: impact door phenomenon.
- wrong choice models or closing force behind closed doors.
- Hard or put in the door and the body frame extending between the (dangerous crush).

### 安装说明 Installation Instructions

在安装闭门器使用的时候，必须遵循如下规则：

- 安装使用闭门器以及相关的选配件必须事先了解并遵循有关的法律及规定；
- 安装调试闭门器应该由有资质的专业人士来操作；
- 遵守产品使用说明书、质量保证书等技术文件的要求，并且将相关资料转交客户或使用者；
- 带停门装置的闭门器应该遵循有关的法规、检测和维护规定；
- 如果因为建筑环境的原因，开门角度小于闭门器的打开角度，建议安装门挡，防止门扇撞击损坏墙面；
- 如果使用场合环境不良（例如：强风），建议选择较高闭合力的闭门器。

Installing door closers in use, must follow the following rules:

- Install the use of door closers and related option must know in advance and follow the relevant laws and regulations;
- Installation behind closed doors should be by qualified professionals to operate;
- Compliance with product specifications, quality assurance and other technical documentation requirements, and the relevant information to customers or users;
- Devices with stopping the door closers should follow the relevant laws and regulations, testing and maintenance requirements;
- If the reason for the built environment, open the door open angle is less than the angle behind closed doors, it is recommended to install the door stop to prevent impact damage to the wall door;
- If you use the environment where poor. (For example, strong winds), recommended to choose a higher closing force of door closer.

### 装配说明 Door Closer Assembly

#### ● 门扇重量和推拉门扇宽度 Door Leaf Weight and Sliding Door to Door Width

| 门合力级别<br>Door Resultant Force Level | 1     | 2   | 3   | 4    | 5    | 6    | 7    |
|-------------------------------------|-------|-----|-----|------|------|------|------|
| 门扇最大重量(kg)<br>Doors Maximum Weight  | 20    | 40  | 60  | 80   | 100  | 120  | 160  |
| 门扇宽度(mm)<br>Door Leaf Width         | < 750 | 850 | 950 | 1100 | 1250 | 1400 | 1600 |

### 维修保养 Repair and Maintenance

需要按照如下规则进行日常有规律的维护保养：

- 检测安全性的部件和易损部件；
- 上紧松脱的螺钉并且更换已经磨损的部件；
- 检测和调试门扇的闭合情况是否顺畅；
- 如果有必要的话，在活动部件加注润滑油；
- 维护保养必须由有资质的专业人士操作；
- 只能使用不含腐蚀性的清洁剂。

Need to follow the rules of a regular maintenance routine:

- Detection of security parts and wearing parts;
- Tighten loose screws and the replacement of worn parts;
- Testing and commissioning of the closed door whether smooth;
- If necessary, filling is the moving parts lubricating oil;
- Maintenance must be made by a qualified professional operation;
- Use only detergents dismay.

About Door Closer  
关于闭门器

安装示意 Floor Spring Selection Suggestions

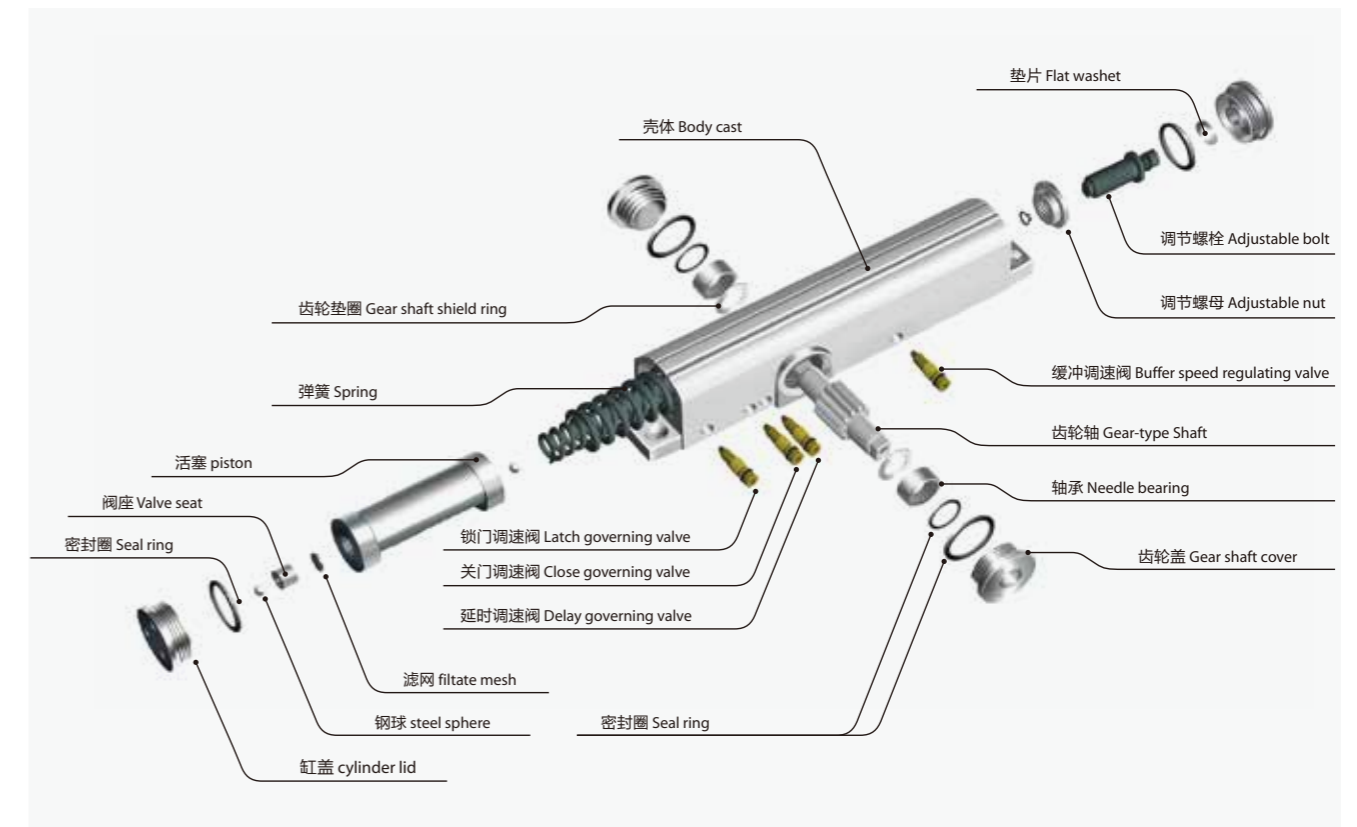
| 安装方式<br>Mounting                 | A 标准安装<br>Standard Mounting   | B 门框安装<br>Door Frame Installation   | C 平行安装<br>Parallel mounting  |
|----------------------------------|---|---|--|
| 闭门器(外装)<br>Door Closer (Outside) | <br>    | <br>    | <br> |
| 闭门器(内装)<br>Door Closer (Inside)  | <br> | <br> |  |

产品特点 Products Features

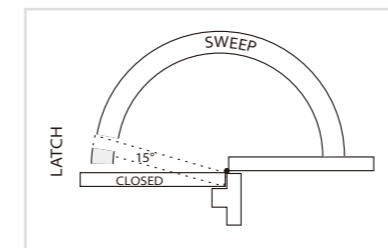
- 科学实验测试，运转50万次后经国家技术监督部门鉴定，品质稳定运转正常；
- 通过QB/T2698-2013闭门器标准、GA93-2004防火门闭门器标准、JG/T268-2010建筑用闭门器标准检测；
- 主体采用高强度铝合金，传动构件采用优质钢材；
- 弹簧选用进口弹簧钢制造，经热处理强化处理，弹簧不易疲劳，保证闭门器长时间使用后闭门力量不变；
- 采用低温防冻液压油，极端温度环境下可保持良好性能；
- 整体设计紧凑、工作性能稳定可靠，安装灵活不区分左右，单向开启，适用于有框门、木门等门型；
- 逃生门或防火门必须采用无驻持功能的闭门器。

- Which are in stable quality and normal operation identified by the national technology departments after scientific tests and 500 thousand operations.
- Meet QB/T2698-2013, GA93-2004 and JG/T 268-2010 code.
- High-strength aluminum alloy for main body, high-quality steel for gearing parts.
- The imported spring steel and heat processing are adopted for the spring, so the spring is hard to fatigue, which ensure the constant closing force after long-term use of the door closer.
- Low-temperature and anti-freezing hydraulic oil is adopted to maintain the good performance at extreme temperature.
- Flexible installation, for single-open, suit for door with frame, wooden door etc.
- Exit door or fire doors must be used in the function without the door.

About Door Closer  
关于闭门器



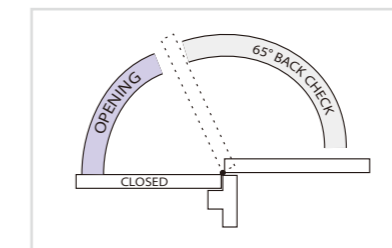
功能示意 Schematically Function



关门和锁门速度的控制  
Closing and latching speed control

180°~15°为关门速度范围，15°~0°为锁门速度范围。有利于避免风力或其他力量引起不适当的关门。

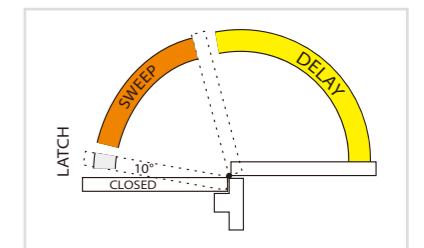
The closing speed adjusts range from 180° to 15°, the latching speed adjusts range from 15° to 0°. This is to avoid unexpected shut of the door accidentally by wind or other force.



可调节的缓冲功能  
Adjustable back check

开门65°开始缓冲乙方开门力度过大损害们及相关附件。

Back check function acts on door open from about 70° to avoid damage the door and door accessories.



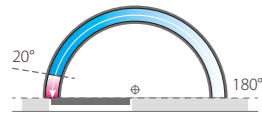
延时功能，延时时间可调节  
Adjustable delayed action

关门从180°到65°有延时功能，调节延时时间，以便残疾人、老年人、小孩通过，他们可能需要关门速度慢一点。

Delay function effects when closing from 180to56. adjusting delay time to provide ample time for the disabled,elderly or small children. they may require greater closing time.

Door Closer Series  
闭门器系列

## DH-BA2AW40-65A



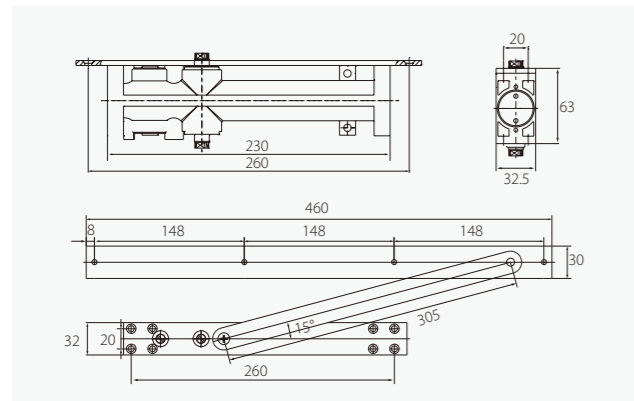
- 1速关闭 1 speed off
- 2速关闭 2 speed off
- 180° - 20° 关门阶段
- 180° - 20° Closing stages
- 20° - 0° 闭锁阶段
- 20° - 0° latching stage
- 两段式速度关闭可调
- Two-stage speed off adjustable



### 技术参数 Technical Data

|                                   |  |   |                       |
|-----------------------------------|--|---|-----------------------|
| 最大门宽:<br>Maximum wide:            | 650~1050mm   | 开门缓冲:<br>Open buffer:                   | 可选<br>Single cylinder |
| 适用门重:<br>Available weight:        | 40~65kg  | 关门延时:<br>Closing buffer:                | 可选<br>Single cylinder |
| 调速控制:<br>Speed:                   | 两段调速<br>Two stage adjustable speed                   | 适用于DIN左/右手门:<br>Left and right version: | YES                   |
| 最大开门角度:<br>Maximum opening Angle: | 180°   | 闭门力:<br>Maximum opening Angle:          | EN 2/3                |
| 定位功能:<br>Location degree:         | 可选定位与不定位<br>location or without location is optional | 寿命:<br>Location degree:                 | > 500,000             |
| 安装方式:<br>Installation:            | 隐藏式安装<br>Concealed installation                      | 通过认证:<br>Authentication:                | GA93-2004             |

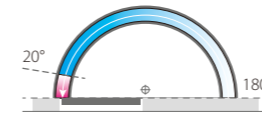
### 功能特点 Products Features



- 适用于有框门、木门等门型
- 弹簧选用进口弹簧钢制造，经热处理强化处理，弹簧不易疲劳，保证闭门器长时间使用后闭门力量不变
- 采用低温防冻液液压油，极端温度环境下可保持良好性能
- 采用精密进口密封圈，防止漏油
- 具有缓冲、延时及关门力度可调节功能。
- Type of door: wooden door, metal door and glass door.
- The imported spring steel and heat processing are adopted for the spring, so the spring is hard to fatigue, which ensure the constant closing force after long-term use of the door closer.
- Low-temperature and anti-freezing hydraulic oil is adopted to maintain the good performance at extreme temperature.
- Precise seals, to prevent oil spills.
- Are provided with back check, delay and closing force adjustment functions.

Door Closer Series  
闭门器系列

## DH-BA2AW40-65B



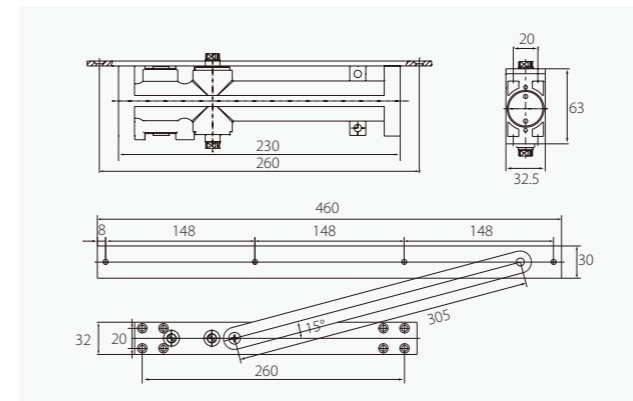
- 1速关闭 1 speed off
- 2速关闭 2 speed off
- 180° - 20° 关门阶段
- 180° - 20° Closing stages
- 20° - 0° 闭锁阶段
- 20° - 0° latching stage
- 两段式速度关闭可调
- Two-stage speed off adjustable



### 技术参数 Technical Data

|                                   |  |   |                       |
|-----------------------------------|--|---|-----------------------|
| 最大门宽:<br>Maximum wide:            | 650~1050mm   | 开门缓冲:<br>Open buffer:                   | 可选<br>Single cylinder |
| 适用门重:<br>Available weight:        | 40~65kg  | 关门延时:<br>Closing buffer:                | 可选<br>Single cylinder |
| 调速控制:<br>Speed:                   | 两段调速<br>Two stage adjustable speed                   | 适用于DIN左/右手门:<br>Left and right version: | YES                   |
| 最大开门角度:<br>Maximum opening Angle: | 180°   | 闭门力:<br>Maximum opening Angle:          | EN 2/3                |
| 定位功能:<br>Location degree:         | 可选定位与不定位<br>location or without location is optional | 寿命:<br>Location degree:                 | > 500,000             |
| 安装方式:<br>Installation:            | 隐藏式安装<br>Concealed installation                      | 通过认证:<br>Authentication:                | GA93-2004             |

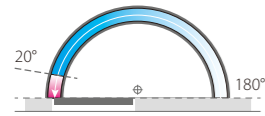
### 功能特点 Products Features



- 适用于有框门、木门等门型
- 弹簧选用进口弹簧钢制造，经热处理强化处理，弹簧不易疲劳，保证闭门器长时间使用后闭门力量不变
- 采用低温防冻液液压油，极端温度环境下可保持良好性能
- 采用精密进口密封圈，防止漏油
- 具有缓冲、延时及关门力度可调节功能。
- Type of door: wooden door, metal door and glass door.
- The imported spring steel and heat processing are adopted for the spring, so the spring is hard to fatigue, which ensure the constant closing force after long-term use of the door closer.
- Low-temperature and anti-freezing hydraulic oil is adopted to maintain the good performance at extreme temperature.
- Precise seals, to prevent oil spills.
- Are provided with back check, delay and closing force adjustment functions.

Door Closer Series  
闭门器系列

## DH-BA2AW60-85A



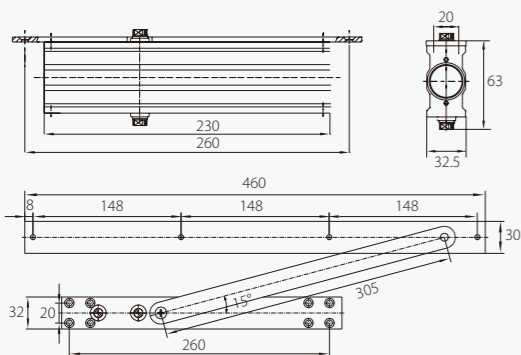
- 1速关闭 1 speed off
- 2速关闭 2 speed off
- 180° -20° 关门阶段
- 180° -20° Closing stages
- 20° - 0° 闭锁阶段
- 20° - 0° latching stage
- 两段式速度关闭可调
- Two-stage speed off adjustable



### 技术参数 Technical Data

|                                    |  |   |                       |
|------------------------------------|--|---|-----------------------|
| 最大门宽:<br>Maximim wide :            | 850~1200mm   | 开门缓冲:<br>Open buffer :                  | 可选<br>Single cylinder |
| 适用门重:<br>Available weight :        | 60~85kg  | 关门延时:<br>Closing buffer:                | 可选<br>Single cylinder |
| 调速控制:<br>Speed :                   | 两段调速<br>Two stage adjustable speed                   | 适用于DIN左/右手门:<br>Left and right version: | YES                   |
| 最大开门角度:<br>Maximum opening Angle : | 180°   | 闭门力:<br>Maximum opening Angle :         | EN 3/4                |
| 定位功能:<br>Location degree :         | 可选定位与不定位<br>location or without location is optional | 寿命:<br>Location degree :                | > 500,000             |
| 安装方式:<br>Installation :            | 隐藏式安装<br>Concealed installation                      | 通过认证:<br>Authentication:                | GA93-2004             |

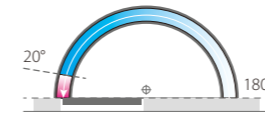
### 功能特点 Products Features



- 适用于有框门、木门等门型
- 弹簧选用进口弹簧钢制造，经热处理强化处理，弹簧不易疲劳，保证闭门器长时间使用后闭门力量不变
- 采用低温防冻液压油，极端温度环境下可保持良好性能
- 采用精密进口密封圈，防止漏油
- 具有缓冲、延时及关门力度可调节功能。
- Type of door: wooden door, metal door and glass door.
- The imported spring steel and heat processing are adopted for the spring, so the spring is hard to fatigue, which ensure the constant closing force after long-term use of the door closer.
- Low-temperature and anti-freezing hydraulic oil is adopted to maintain the good performance at extreme temperature.
- Precise seales, to prevent oil spills.
- Are provided with back check, delay and closing force adjustment functions.

Door Closer Series  
闭门器系列

## DH-BA2AW60-85B



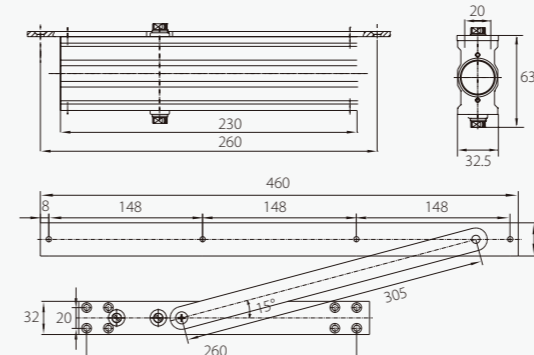
- 1速关闭 1 speed off
- 2速关闭 2 speed off
- 180° -20° 关门阶段
- 180° -20° Closing stages
- 20° - 0° 闭锁阶段
- 20° - 0° latching stage
- 两段式速度关闭可调
- Two-stage speed off adjustable



### 技术参数 Technical Data

|                                    |  |   |                       |
|------------------------------------|--|---|-----------------------|
| 最大门宽:<br>Maximim wide :            | 850~1200mm   | 开门缓冲:<br>Open buffer :                  | 可选<br>Single cylinder |
| 适用门重:<br>Available weight :        | 60~85kg  | 关门延时:<br>Closing buffer:                | 可选<br>Single cylinder |
| 调速控制:<br>Speed :                   | 两段调速<br>Two stage adjustable speed                   | 适用于DIN左/右手门:<br>Left and right version: | YES                   |
| 最大开门角度:<br>Maximum opening Angle : | 180°   | 闭门力:<br>Maximum opening Angle :         | EN 3/4                |
| 定位功能:<br>Location degree :         | 可选定位与不定位<br>location or without location is optional | 寿命:<br>Location degree :                | > 500,000             |
| 安装方式:<br>Installation :            | 隐藏式安装<br>Concealed installation                      | 通过认证:<br>Authentication:                | GA93-2004             |

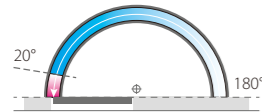
### 功能特点 Products Features



- 适用于有框门、木门等门型
- 弹簧选用进口弹簧钢制造，经热处理强化处理，弹簧不易疲劳，保证闭门器长时间使用后闭门力量不变
- 采用低温防冻液压油，极端温度环境下可保持良好性能
- 采用精密进口密封圈，防止漏油
- 具有缓冲、延时及关门力度可调节功能。
- Type of door: wooden door, metal door and glass door.
- The imported spring steel and heat processing are adopted for the spring, so the spring is hard to fatigue, which ensure the constant closing force after long-term use of the door closer.
- Low-temperature and anti-freezing hydraulic oil is adopted to maintain the good performance at extreme temperature.
- Precise seales, to prevent oil spills.
- Are provided with back check, delay and closing force adjustment functions.

Door Closer Series  
闭门器系列

## DH-BA3AW40-65A



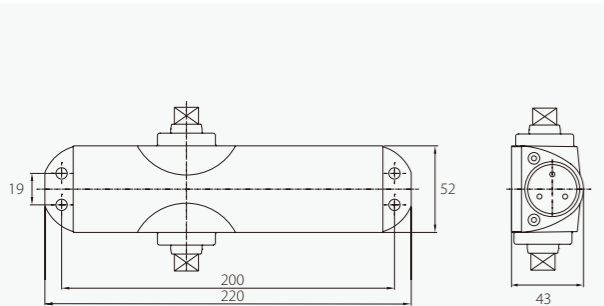
- 1速关闭 1 speed off
- 2速关闭 2 speed off
- 180° - 20° 关门阶段
- 180° - 20° Closing stages
- 20° - 0° 闭锁阶段
- 20° - 0° latching stage
- 两段式速度关闭可调
- Two-stage speed off adjustable



### 技术参数 Technical Data

|                                    |  |   |                       |
|------------------------------------|--|---|-----------------------|
| 最大门宽:<br>Maximim wide :            | 650~1050mm   | 开门缓冲:<br>Open buffer :                  | 可选<br>Single cylinder |
| 适用门重:<br>Available weight :        | 40~65kg  | 关门延时:<br>Closing buffer:                | 可选<br>Single cylinder |
| 调速控制:<br>Speed :                   | 两段调速<br>Two stage adjustable speed                   | 适用于DIN左/右手门:<br>Left and right version: | YES                   |
| 最大开门角度:<br>Maximum opening Angle : | 180°   | 闭门力:<br>Maximum opening Angle :         | EN 2/3                |
| 定位功能:<br>Location degree :         | 可选定位与不定位<br>location or without location is optional | 寿命:<br>Location degree :                | > 500,000             |
| 安装方式:<br>Installation :            | 铰链侧/铰链背侧<br>Hinge flank/Hinge back                   | 通过认证:<br>Authentication:                | GA93-2004             |

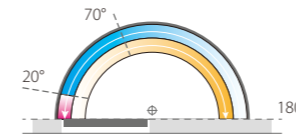
### 功能特点 Products Features



- 适用于有框门、木门等门型
- 弹簧选用进口弹簧钢制造，经热处理强化处理，弹簧不易疲劳，保证闭门器长时间使用后闭门力量不变
- 采用低温防冻液压油，极端温度环境下可保持良好性能
- 采用精密进口密封圈，防止漏油
- 具有缓冲、延时及关门力度可调节功能。
- Type of door: wooden door, metal door and glass door.
- The imported spring steel and heat processing are adopted for the spring, so the spring is hard to fatigue, which ensure the constant closing force after long-term use of the door closer.
- Low-temperature and anti-freezing hydraulic oil is adopted to maintain the good performance at extreme temperature.
- Precise seales, to prevent oil spills.
- Are provided with back check, delay and closing force adjustment functions.

Door Closer Series  
闭门器系列

## DH-BA3BW40-65A



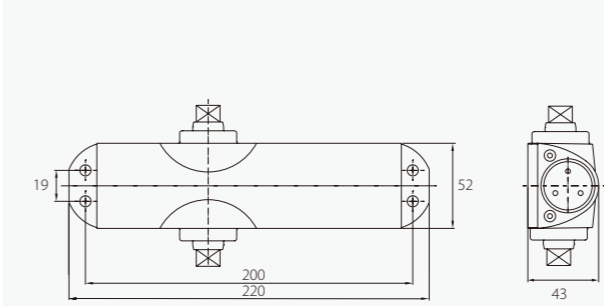
- 1速关闭 1 speed off
- 2速关闭 2 speed off
- 开门缓冲 Open Buffer
- 90° - 20° 关门阶段
- 90° - 20° Closing stages
- 20° - 0° 闭锁阶段
- 20° - 0° latching stage
- 两段式速度关闭可调
- Two-stage speed off adjustable



### 技术参数 Technical Data

|                                    |  |   |                       |
|------------------------------------|--|---|-----------------------|
| 最大门宽:<br>Maximim wide :            | 650~1050mm   | 开门缓冲:<br>Open buffer :                  | 可选<br>Single cylinder |
| 适用门重:<br>Available weight :        | 40~65kg  | 关门延时:<br>Closing buffer:                | 可选<br>Single cylinder |
| 调速控制:<br>Speed :                   | 三段调速<br>Three stage adjustable speed                 | 适用于DIN左/右手门:<br>Left and right version: | YES                   |
| 最大开门角度:<br>Maximum opening Angle : | 180°   | 闭门力:<br>Maximum opening Angle :         | EN 2/3                |
| 定位功能:<br>Location degree :         | 可选定位与不定位<br>location or without location is optional | 寿命:<br>Location degree :                | > 500,000             |
| 安装方式:<br>Installation :            | 铰链侧/铰链背侧<br>Hinge flank/Hinge back                   | 通过认证:<br>Authentication:                | GA93-2004             |

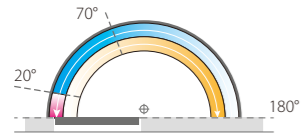
### 功能特点 Products Features



- 适用于有框门、木门等门型
- 弹簧选用进口弹簧钢制造，经热处理强化处理，弹簧不易疲劳，保证闭门器长时间使用后闭门力量不变
- 采用低温防冻液压油，极端温度环境下可保持良好性能
- 采用精密进口密封圈，防止漏油
- 具有缓冲、延时及关门力度可调节功能。
- Type of door: wooden door, metal door and glass door.
- The imported spring steel and heat processing are adopted for the spring, so the spring is hard to fatigue, which ensure the constant closing force after long-term use of the door closer.
- Low-temperature and anti-freezing hydraulic oil is adopted to maintain the good performance at extreme temperature.
- Precise seales, to prevent oil spills.
- Are provided with back check, delay and closing force adjustment functions.

Door Closer Series  
闭门器系列

## DH-BA3BW60-85A



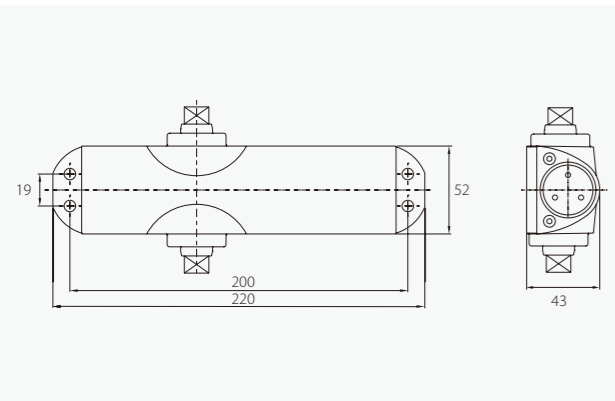
- 1速关闭 1 speed off
- 2速关闭 2 speed off
- 开门缓冲 Open Buffer
- 90° - 20° 关门阶段
- 90° - 20° Closing stages
- 20° - 0° 闭锁阶段
- 20° - 0° latching stage
- 两段式速度关闭可调
- Two-stage speed off adjustable



### 技术参数 Technical Data

|                                   |  |   |                       |
|-----------------------------------|--|---|-----------------------|
| 最大门宽:<br>Maximum wide:            | 850~1200mm   | 开门缓冲:<br>Open buffer:                   | 可选<br>Single cylinder |
| 适用门重:<br>Available weight:        | 60~85kg  | 关门延时:<br>Closing buffer:                | 可选<br>Single cylinder |
| 调速控制:<br>Speed:                   | 三段调速<br>Three stage adjustable speed                 | 适用于DIN左/右手门:<br>Left and right version: | YES                   |
| 最大开门角度:<br>Maximum opening Angle: | 180°   | 闭门力:<br>Maximum opening Angle:          | EN 3/4                |
| 定位功能:<br>Location degree:         | 可选定位与不定位<br>location or without location is optional | 寿命:<br>Location degree:                 | > 500,000             |
| 安装方式:<br>Installation:            | 铰链侧/铰链背侧<br>Hinge flank/Hinge back                   | 通过认证:<br>Authentication:                | GA93-2004             |

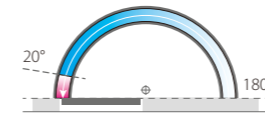
### 功能特点 Products Features



- 适用于有框门、木门等门型
- 弹簧选用进口弹簧钢制造，经热处理强化处理，弹簧不易疲劳，保证闭门器长时间使用后闭门力量不变
- 采用低温防冻液压油，极端温度环境下可保持良好性能
- 采用精密进口密封圈，防止漏油
- 具有缓冲、延时及关门力度可调节功能。
- Type of door: wooden door, metal door and glass door.
- The imported spring steel and heat processing are adopted for the spring, so the spring is hard to fatigue, which ensure the constant closing force after long-term use of the door closer.
- Low-temperature and anti-freezing hydraulic oil is adopted to maintain the good performance at extreme temperature.
- Precise seales, to prevent oil spills.
- Are provided with back check, delay and closing force adjustment functions.

Door Closer Series  
闭门器系列

## DH-BA5AW25-45A



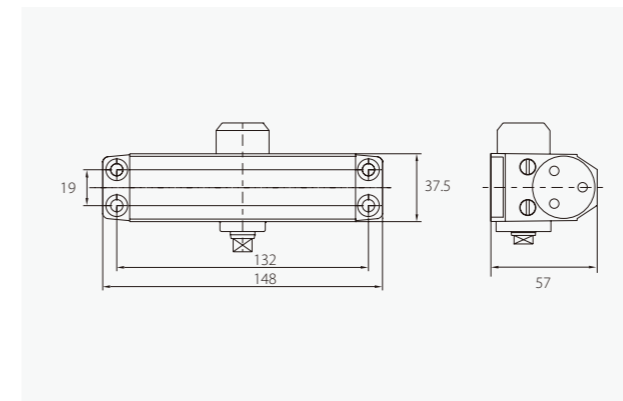
- 1速关闭 1 speed off
- 2速关闭 2 speed off
- 180° - 20° 关门阶段
- 180° - 20° Closing stages
- 20° - 0° 闭锁阶段
- 20° - 0° latching stage
- 两段式速度关闭可调
- Two-stage speed off adjustable



### 技术参数 Technical Data

|                                   |  |   |                       |
|-----------------------------------|--|---|-----------------------|
| 最大门宽:<br>Maximum wide:            | 600~850mm  | 开门缓冲:<br>Open buffer:                   | 可选<br>Single cylinder |
| 适用门重:<br>Available weight:        | 25~45kg  | 关门延时:<br>Closing buffer:                | 可选<br>Single cylinder |
| 调速控制:<br>Speed:                   | 两段调速<br>Two stage adjustable speed                   | 适用于DIN左/右手门:<br>Left and right version: | YES                   |
| 最大开门角度:<br>Maximum opening Angle: | 180°   | 闭门力:<br>Maximum opening Angle:          | EN 2/3                |
| 定位功能:<br>Location degree:         | 可选定位与不定位<br>location or without location is optional | 寿命:<br>Location degree:                 | > 500,000             |
| 安装方式:<br>Installation:            | 铰链侧/铰链背侧<br>Hinge flank/Hinge back                   | 通过认证:<br>Authentication:                | GA93-2004             |

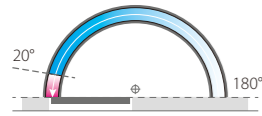
### 功能特点 Products Features



- 适用于有框门、木门等门型
- 弹簧选用进口弹簧钢制造，经热处理强化处理，弹簧不易疲劳，保证闭门器长时间使用后闭门力量不变
- 采用低温防冻液压油，极端温度环境下可保持良好性能
- 采用精密进口密封圈，防止漏油
- 具有缓冲、延时及关门力度可调节功能。
- Type of door: wooden door, metal door and glass door.
- The imported spring steel and heat processing are adopted for the spring, so the spring is hard to fatigue, which ensure the constant closing force after long-term use of the door closer.
- Low-temperature and anti-freezing hydraulic oil is adopted to maintain the good performance at extreme temperature.
- Precise seales, to prevent oil spills.
- Are provided with back check, delay and closing force adjustment functions.

Door Closer Series  
闭门器系列

## DH-BA5AW25-45B



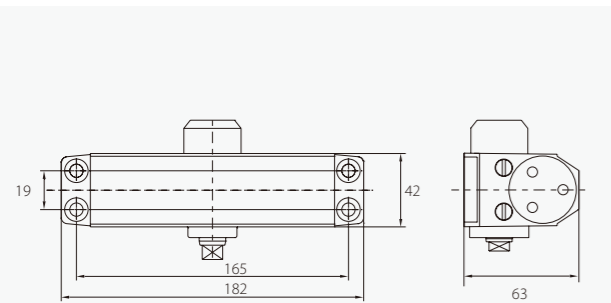
- 1速关闭 1 speed off
- 2速关闭 2 speed off
- 180° - 20° 关门阶段
- 180° - 20° Closing stages
- 20° - 0° 闭锁阶段
- 20° - 0° latching stage
- 两段式速度关闭可调
- Two-stage speed off adjustable



### 技术参数 Technical Data

|                                   |  |   |                       |
|-----------------------------------|--|---|-----------------------|
| 最大门宽:<br>Maximim wide:            | 600~850mm  | 开门缓冲:<br>Open buffer:                   | 可选<br>Single cylinder |
| 适用门重:<br>Available weight:        | 25~45kg  | 关门延时:<br>Closing buffer:                | 可选<br>Single cylinder |
| 调速控制:<br>Speed:                   | 两段调速<br>Two stage adjustable speed                   | 适用于DIN左/右手门:<br>Left and right version: | YES                   |
| 最大开门角度:<br>Maximum opening Angle: | 180°   | 闭门力:<br>Maximum opening Angle:          | EN 2/3                |
| 定位功能:<br>Location degree:         | 可选定位与不定位<br>location or without location is optional | 寿命:<br>Location degree:                 | > 500,000             |
| 安装方式:<br>Installation:            | 铰链侧/铰链背侧<br>Hinge flank/Hinge back                   | 通过认证:<br>Authentication:                | GA93-2004             |

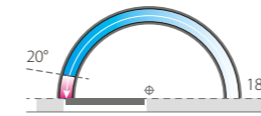
### 功能特点 Products Features



- 适用于有框门、木门等门型
- 弹簧选用进口弹簧钢制造，经热处理强化处理，弹簧不易疲劳，保证闭门器长时间使用后闭门力量不变
- 采用低温防冻液液压油，极端温度环境下可保持良好性能
- 采用精密进口密封圈，防止漏油
- 具有缓冲、延时及关门力度可调节功能。
- Type of door: wooden door, metal door and glass door.
- The imported spring steel and heat processing are adopted for the spring, so the spring is hard to fatigue, which ensure the constant closing force after long-term use of the door closer.
- Low-temperature and anti-freezing hydraulic oil is adopted to maintain the good performance at extreme temperature.
- Precise seales, to prevent oil spills.
- Are provided with back check, delay and closing force adjustment functions.

Door Closer Series  
闭门器系列

## DH-BA5AW40-65A



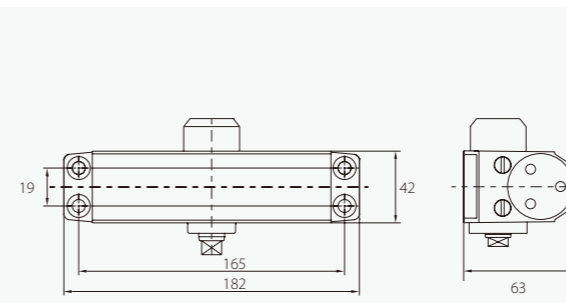
- 1速关闭 1 speed off
- 2速关闭 2 speed off
- 180° - 20° 关门阶段
- 180° - 20° Closing stages
- 20° - 0° 闭锁阶段
- 20° - 0° latching stage
- 两段式速度关闭可调
- Two-stage speed off adjustable



### 技术参数 Technical Data

|                                   |  |   |                       |
|-----------------------------------|--|---|-----------------------|
| 最大门宽:<br>Maximim wide:            | 650~1050mm   | 开门缓冲:<br>Open buffer:                   | 可选<br>Single cylinder |
| 适用门重:<br>Available weight:        | 40~65kg  | 关门延时:<br>Closing buffer:                | 可选<br>Single cylinder |
| 调速控制:<br>Speed:                   | 两段调速<br>Two stage adjustable speed                   | 适用于DIN左/右手门:<br>Left and right version: | YES                   |
| 最大开门角度:<br>Maximum opening Angle: | 180°   | 闭门力:<br>Maximum opening Angle:          | EN 2/3                |
| 定位功能:<br>Location degree:         | 可选定位与不定位<br>location or without location is optional | 寿命:<br>Location degree:                 | > 500,000             |
| 安装方式:<br>Installation:            | 铰链侧/铰链背侧<br>Hinge flank/Hinge back                   | 通过认证:<br>Authentication:                | GA93-2004             |

### 功能特点 Products Features

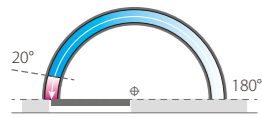


- 适用于有框门、木门等门型
- 弹簧选用进口弹簧钢制造，经热处理强化处理，弹簧不易疲劳，保证闭门器长时间使用后闭门力量不变
- 采用低温防冻液液压油，极端温度环境下可保持良好性能
- 采用精密进口密封圈，防止漏油
- 具有缓冲、延时及关门力度可调节功能。
- Type of door: wooden door, metal door and glass door.
- The imported spring steel and heat processing are adopted for the spring, so the spring is hard to fatigue, which ensure the constant closing force after long-term use of the door closer.
- Low-temperature and anti-freezing hydraulic oil is adopted to maintain the good performance at extreme temperature.
- Precise seales, to prevent oil spills.
- Are provided with back check, delay and closing force adjustment functions.



Door Closer Series  
闭门器系列

## DH-BA5AW40-65B



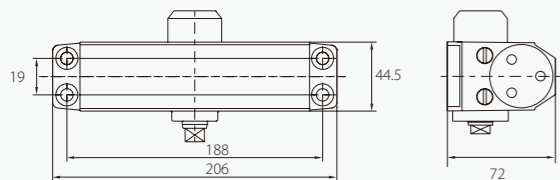
- 1速关闭 1 speed off
- 2速关闭 2 speed off
- 180° - 20° 关门阶段
- 180° - 20° Closing stages
- 20° - 0° 闭锁阶段
- 20° - 0° latching stage
- 两段式速度关闭可调
- Two-stage speed off adjustable



### 技术参数 Technical Data

|                                   |  |   |                       |
|-----------------------------------|--|---|-----------------------|
| 最大门宽:<br>Maximim wide:            | 600~850mm  | 开门缓冲:<br>Open buffer:                   | 可选<br>Single cylinder |
| 适用门重:<br>Available weight:        | 40~65kg  | 关门延时:<br>Closing buffer:                | 可选<br>Single cylinder |
| 调速控制:<br>Speed:                   | 两段调速<br>Two stage adjustable speed                   | 适用于DIN左/右手门:<br>Left and right version: | YES                   |
| 最大开门角度:<br>Maximum opening Angle: | 180°   | 闭门力:<br>Maximum opening Angle:          | EN 2/3                |
| 定位功能:<br>Location degree:         | 可选定位与不定位<br>location or without location is optional | 寿命:<br>Location degree:                 | > 500,000             |
| 安装方式:<br>Installation:            | 铰链侧/铰链背侧<br>Hinge flank/Hinge back                   | 通过认证:<br>Authentication:                | GA93-2004             |

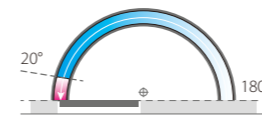
### 功能特点 Products Features



- 适用于有框门、木门等门型
- 弹簧选用进口弹簧钢制造，经热处理强化处理，弹簧不易疲劳，保证闭门器长时间使用后闭门力量不变
- 采用低温防冻液压油，极端温度环境下可保持良好性能
- 采用精密进口密封圈，防止漏油
- 具有缓冲、延时及关门力度可调节功能。
- Type of door: wooden door, metal door and glass door.
- The imported spring steel and heat processing are adopted for the spring, so the spring is hard to fatigue, which ensure the constant closing force after long-term use of the door closer.
- Low-temperature and anti-freezing hydraulic oil is adopted to maintain the good performance at extreme temperature.
- Precise seales, to prevent oil spills.
- Are provided with back check, delay and closing force adjustment functions.

Door Closer Series  
闭门器系列

## DH-BA5AW60-85A



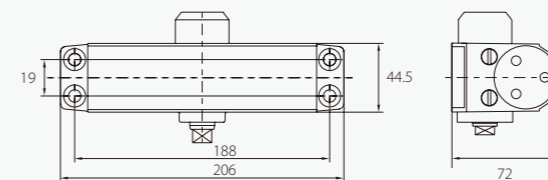
- 1速关闭 1 speed off
- 2速关闭 2 speed off
- 180° - 20° 关门阶段
- 180° - 20° Closing stages
- 20° - 0° 闭锁阶段
- 20° - 0° latching stage
- 两段式速度关闭可调
- Two-stage speed off adjustable



### 技术参数 Technical Data

|                                   |  |   |                       |
|-----------------------------------|--|---|-----------------------|
| 最大门宽:<br>Maximim wide:            | 850~1200mm   | 开门缓冲:<br>Open buffer:                   | 可选<br>Single cylinder |
| 适用门重:<br>Available weight:        | 60~85kg  | 关门延时:<br>Closing buffer:                | 可选<br>Single cylinder |
| 调速控制:<br>Speed:                   | 两段调速<br>Two stage adjustable speed                   | 适用于DIN左/右手门:<br>Left and right version: | YES                   |
| 最大开门角度:<br>Maximum opening Angle: | 180°   | 闭门力:<br>Maximum opening Angle:          | EN 3/4                |
| 定位功能:<br>Location degree:         | 可选定位与不定位<br>location or without location is optional | 寿命:<br>Location degree:                 | > 500,000             |
| 安装方式:<br>Installation:            | 铰链侧/铰链背侧<br>Hinge flank/Hinge back                   | 通过认证:<br>Authentication:                | GA93-2004             |

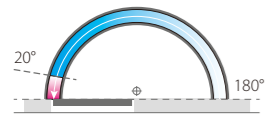
### 功能特点 Products Features



- 适用于有框门、木门等门型
- 弹簧选用进口弹簧钢制造，经热处理强化处理，弹簧不易疲劳，保证闭门器长时间使用后闭门力量不变
- 采用低温防冻液压油，极端温度环境下可保持良好性能
- 采用精密进口密封圈，防止漏油
- 具有缓冲、延时及关门力度可调节功能。
- Type of door: wooden door, metal door and glass door.
- The imported spring steel and heat processing are adopted for the spring, so the spring is hard to fatigue, which ensure the constant closing force after long-term use of the door closer.
- Low-temperature and anti-freezing hydraulic oil is adopted to maintain the good performance at extreme temperature.
- Precise seales, to prevent oil spills.
- Are provided with back check, delay and closing force adjustment functions.

Door Closer Series  
闭门器系列

## DH-BA5AW60-85B



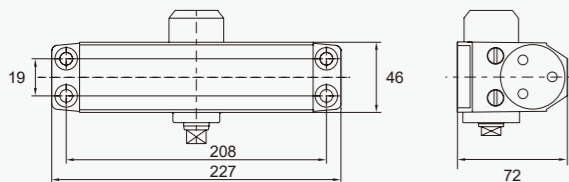
- 1速关闭 1 speed off
- 2速关闭 2 speed off
- 180° -20° 关门阶段
- 180° -20° Closing stages
- 20° -0° 闭锁阶段
- 20° -0° latching stages
- 两段式速度关闭可调
- Two-stage speed off adjustable



### 技术参数 Technical Data

|                                   |  |   |                       |
|-----------------------------------|--|---|-----------------------|
| 最大门宽:<br>Maximim wide:            | 850~1100mm   | 开门缓冲:<br>Open buffer:                   | 可选<br>Single cylinder |
| 适用门重:<br>Available weight:        | 60~85kg  | 关门延时:<br>Closing buffer:                | 可选<br>Single cylinder |
| 调速控制:<br>Speed:                   | 两段调速<br>Two stage adjustable speed                   | 适用于DIN左/右手门:<br>Left and right version: | YES                   |
| 最大开门角度:<br>Maximum opening Angle: | 180°   | 闭门力:<br>Maximum opening Angle:          | EN 3/4                |
| 定位功能:<br>Location degree:         | 可选定位与不定位<br>location or without location is optional | 寿命:<br>Location degree:                 | > 500,000             |
| 安装方式:<br>Installation:            | 铰链侧/铰链背侧<br>Hinge flank/Hinge back                   | 通过认证:<br>Authentication:                | GA93-2004             |

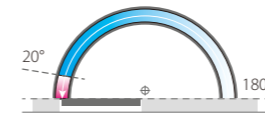
### 功能特点 Products Features



- 适用于有框门、木门等门型
- 弹簧选用进口弹簧钢制造，经热处理强化处理，弹簧不易疲劳，保证闭门器长时间使用后闭门力量不变
- 采用低温防冻液压油，极端温度环境下可保持良好性能
- 采用精密进口密封圈，防止漏油
- 具有缓冲、延时及关门力度可调节功能。
- Type of door: wooden door, metal door and glass door.
- The imported spring steel and heat processing are adopted for the spring, so the spring is hard to fatigue, which ensure the constant closing force after long-term use of the door closer.
- Low-temperature and anti-freezing hydraulic oil is adopted to maintain the good performance at extreme temperature.
- Precise seales, to prevent oil spills.
- Are provided with back check, delay and closing force adjustment functions.

Door Closer Series  
闭门器系列

## DH-BA5BW40-150A



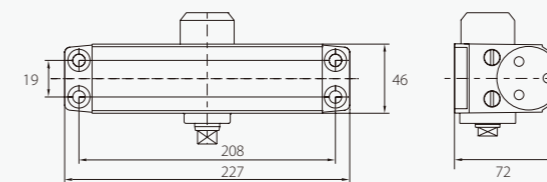
- 1速关闭 1 speed off
- 2速关闭 2 speed off
- 180° -20° 关门阶段
- 180° -20° Closing stages
- 20° -0° 闭锁阶段
- 20° -0° latching stages
- 两段式速度关闭可调
- Two-stage speed off adjustable



### 技术参数 Technical Data

|                                   |  |   |                       |
|-----------------------------------|--|---|-----------------------|
| 最大门宽:<br>Maximim wide:            | 800~1400mm   | 开门缓冲:<br>Open buffer:                   | 可选<br>Single cylinder |
| 适用门重:<br>Available weight:        | 40~150kg   | 关门延时:<br>Closing buffer:                | 可选<br>Single cylinder |
| 调速控制:<br>Speed:                   | 三段调速<br>Three stage adjustable speed                 | 适用于DIN左/右手门:<br>Left and right version: | YES                   |
| 最大开门角度:<br>Maximum opening Angle: | 180°   | 闭门力:<br>Maximum opening Angle:          | EN 3/4/5              |
| 定位功能:<br>Location degree:         | 可选定位与不定位<br>location or without location is optional | 寿命:<br>Location degree:                 | > 500,000             |
| 安装方式:<br>Installation:            | 铰链侧/铰链背侧<br>Hinge flank/Hinge back                   | 通过认证:<br>Authentication:                | GA93-2004             |

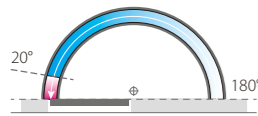
### 功能特点 Products Features



- 适用于有框门、木门等门型
- 弹簧选用进口弹簧钢制造，经热处理强化处理，弹簧不易疲劳，保证闭门器长时间使用后闭门力量不变
- 采用低温防冻液压油，极端温度环境下可保持良好性能
- 采用精密进口密封圈，防止漏油
- 具有缓冲、延时及关门力度可调节功能。
- Type of door: wooden door, metal door and glass door.
- The imported spring steel and heat processing are adopted for the spring, so the spring is hard to fatigue, which ensure the constant closing force after long-term use of the door closer.
- Low-temperature and anti-freezing hydraulic oil is adopted to maintain the good performance at extreme temperature.
- Precise seales, to prevent oil spills.
- Are provided with back check, delay and closing force adjustment functions.

Door Closer Series  
闭门器系列

## DH-BA5AW80-120A



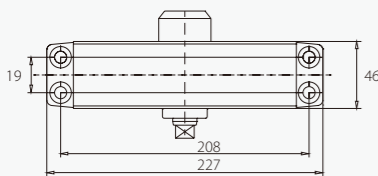
- 1速关闭 1 speed off
- 2速关闭 2 speed off
- 180° - 20° 关门阶段
- 180° - 20° Closing stages
- 20° - 0° 闭锁阶段
- 20° - 0° latching stages
- 两段式速度关闭可调
- Two-stage speed off adjustable



### 技术参数 Technical Data

|                                   |  |   |                       |
|-----------------------------------|--|---|-----------------------|
| 最大门宽:<br>Maximim wide:            | 850~1400mm   | 开门缓冲:<br>Open buffer:                   | 可选<br>Single cylinder |
| 适用门重:<br>Available weight:        | 80~120kg   | 关门延时:<br>Closing buffer:                | 可选<br>Single cylinder |
| 调速控制:<br>Speed:                   | 两段调速<br>Two stage adjustable speed                   | 适用于DIN左/右手门:<br>Left and right version: | YES                   |
| 最大开门角度:<br>Maximum opening Angle: | 180°   | 闭门力:<br>Maximum opening Angle:          | EN 4/5/6              |
| 定位功能:<br>Location degree:         | 可选定位与不定位<br>location or without location is optional | 寿命:<br>Location degree:                 | > 500,000             |
| 安装方式:<br>Installation:            | 铰链侧/铰链背侧<br>Hinge flank/Hinge back                   | 通过认证:<br>Authentication:                | GA93-2004             |

### 功能特点 Products Features



- 适用于有框门、木门等门型
- 弹簧选用进口弹簧钢制造，经热处理强化处理，弹簧不易疲劳，保证闭门器长时间使用后闭门力量不变
- 采用低温防冻液压油，极端温度环境下可保持良好性能
- 采用精密进口密封圈，防止漏油
- 具有缓冲、延时及关门力度可调节功能。
- Type of door: wooden door, metal door and glass door.
- The imported spring steel and heat processing are adopted for the spring, so the spring is hard to fatigue, which ensure the constant closing force after long-term use of the door closer.
- Low-temperature and anti-freezing hydraulic oil is adopted to maintain the good performance at extreme temperature.
- Precise seales, to prevent oil spills.
- Are provided with back check, delay and closing force adjustment functions.

Door Closer Series  
闭门器系列

## DH-BA5AW80-120B



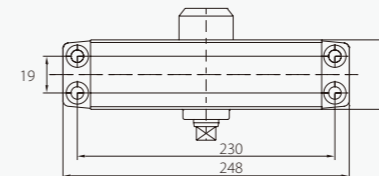
- 1速关闭 1 speed off
- 2速关闭 2 speed off
- 180° - 20° 关门阶段
- 180° - 20° Closing stages
- 20° - 0° 闭锁阶段
- 20° - 0° latching stages
- 两段式速度关闭可调
- Two-stage speed off adjustable



### 技术参数 Technical Data

|                                   |  |   |                       |
|-----------------------------------|--|---|-----------------------|
| 最大门宽:<br>Maximim wide:            | 850~1400mm   | 开门缓冲:<br>Open buffer:                   | 可选<br>Single cylinder |
| 适用门重:<br>Available weight:        | 80~120kg   | 关门延时:<br>Closing buffer:                | 可选<br>Single cylinder |
| 调速控制:<br>Speed:                   | 两段调速<br>Two stage adjustable speed                   | 适用于DIN左/右手门:<br>Left and right version: | YES                   |
| 最大开门角度:<br>Maximum opening Angle: | 180°   | 闭门力:<br>Maximum opening Angle:          | EN 4/5/6              |
| 定位功能:<br>Location degree:         | 可选定位与不定位<br>location or without location is optional | 寿命:<br>Location degree:                 | > 500,000             |
| 安装方式:<br>Installation:            | 铰链侧/铰链背侧<br>Hinge flank/Hinge back                   | 通过认证:<br>Authentication:                | GA93-2004             |

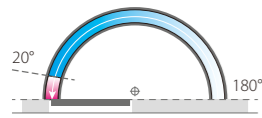
### 功能特点 Products Features



- 适用于有框门、木门等门型
- 弹簧选用进口弹簧钢制造，经热处理强化处理，弹簧不易疲劳，保证闭门器长时间使用后闭门力量不变
- 采用低温防冻液压油，极端温度环境下可保持良好性能
- 采用精密进口密封圈，防止漏油
- 具有缓冲、延时及关门力度可调节功能。
- Type of door: wooden door, metal door and glass door.
- The imported spring steel and heat processing are adopted for the spring, so the spring is hard to fatigue, which ensure the constant closing force after long-term use of the door closer.
- Low-temperature and anti-freezing hydraulic oil is adopted to maintain the good performance at extreme temperature.
- Precise seales, to prevent oil spills.
- Are provided with back check, delay and closing force adjustment functions.

Door Closer Series  
闭门器系列

## DH-BA8AW25-45A



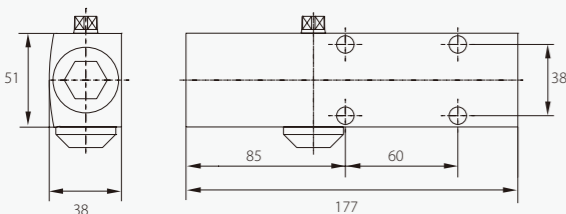
- 1速关闭 1 speed off
- 2速关闭 2 speed off
- 180° - 20° 关门阶段
- 180° - 20° Closing stages
- 20° - 0° 闭锁阶段
- 20° - 0° latching stages
- 两段式速度关闭可调
- Two-stage speed off adjustable



### 技术参数 Technical Data

|                                   |  |   |                       |
|-----------------------------------|--|---|-----------------------|
| 最大门宽:<br>Maximim wide:            | 650~850mm  | 开门缓冲:<br>Open buffer:                   | 可选<br>Single cylinder |
| 适用门重:<br>Available weight:        | 25~45kg  | 关门延时:<br>Closing buffer:                | 可选<br>Single cylinder |
| 调速控制:<br>Speed:                   | 两段调速<br>Two stage adjustable speed                   | 适用于DIN左/右手门:<br>Left and right version: | YES                   |
| 最大开门角度:<br>Maximum opening Angle: | 180°   | 闭门力:<br>Maximum opening Angle:          | EN 2                  |
| 定位功能:<br>Location degree:         | 可选定位与不定位<br>location or without location is optional | 寿命:<br>Location degree:                 | > 500,000             |
| 安装方式:<br>Installation:            | 铰链侧/铰链背侧<br>Hinge flank/Hinge back                   | 通过认证:<br>Authentication:                | GA93-2004             |

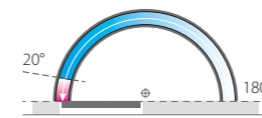
### 功能特点 Products Features



- 适用于有框门、木门等门型
- 弹簧选用进口弹簧钢制造，经热处理强化处理，弹簧不易疲劳，保证闭门器长时间使用后闭门力量不变
- 采用低温防冻液压油，极端温度环境下可保持良好性能
- 采用精密进口密封圈，防止漏油
- 具有缓冲、延时及关门力度可调节功能。
- Type of door: wooden door, metal door and glass door.
- The imported spring steel and heat processing are adopted for the spring, so the spring is hard to fatigue, which ensure the constant closing force after long-term use of the door closer.
- Low-temperature and anti-freezing hydraulic oil is adopted to maintain the good performance at extreme temperature.
- Precise seales, to prevent oil spills.
- Are provided with back check, delay and closing force adjustment functions.

Door Closer Series  
闭门器系列

## DH-BA8AW40-65A



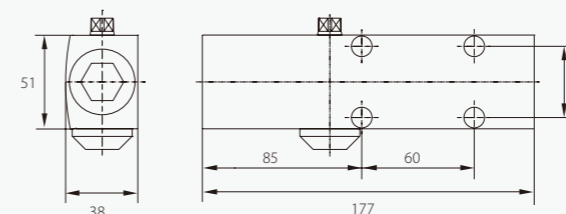
- 1速关闭 1 speed off
- 2速关闭 2 speed off
- 180° - 20° 关门阶段
- 180° - 20° Closing stages
- 20° - 0° 闭锁阶段
- 20° - 0° latching stages
- 两段式速度关闭可调
- Two-stage speed off adjustable



### 技术参数 Technical Data

|                                   |  |   |                       |
|-----------------------------------|--|---|-----------------------|
| 最大门宽:<br>Maximim wide:            | 750~1050mm   | 开门缓冲:<br>Open buffer:                   | 可选<br>Single cylinder |
| 适用门重:<br>Available weight:        | 40~65kg  | 关门延时:<br>Closing buffer:                | 可选<br>Single cylinder |
| 调速控制:<br>Speed:                   | 两段调速<br>Two stage adjustable speed                   | 适用于DIN左/右手门:<br>Left and right version: | YES                   |
| 最大开门角度:<br>Maximum opening Angle: | 180°   | 闭门力:<br>Maximum opening Angle:          | EN 2/3                |
| 定位功能:<br>Location degree:         | 可选定位与不定位<br>location or without location is optional | 寿命:<br>Location degree:                 | > 500,000             |
| 安装方式:<br>Installation:            | 铰链侧/铰链背侧<br>Hinge flank/Hinge back                   | 通过认证:<br>Authentication:                | GA93-2004             |

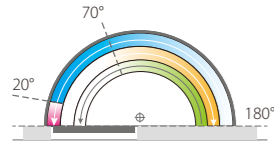
### 功能特点 Products Features



- 适用于有框门、木门等门型
- 弹簧选用进口弹簧钢制造，经热处理强化处理，弹簧不易疲劳，保证闭门器长时间使用后闭门力量不变
- 采用低温防冻液压油，极端温度环境下可保持良好性能
- 采用精密进口密封圈，防止漏油
- 具有缓冲、延时及关门力度可调节功能。
- Type of door: wooden door, metal door and glass door.
- The imported spring steel and heat processing are adopted for the spring, so the spring is hard to fatigue, which ensure the constant closing force after long-term use of the door closer.
- Low-temperature and anti-freezing hydraulic oil is adopted to maintain the good performance at extreme temperature.
- Precise seales, to prevent oil spills.
- Are provided with back check, delay and closing force adjustment functions.

Door Closer Series  
闭门器系列

## DH-BA8CW25-85A



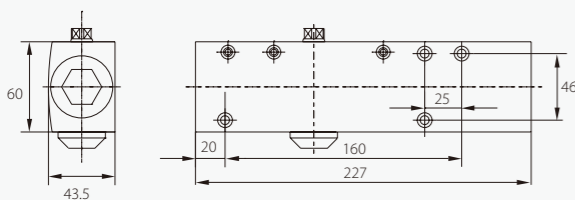
- 1速关闭 1 speed off
  - 2速关闭 2 speed off
  - 开门缓冲 Open Buffer
  - 关门延时(可选) Closing Delayed (Optional)
- 180° -20° 关门阶段  
180° -20° Closing stages  
20° - 0° 闭锁阶段  
20° - 0° latching stages  
两段式速度关闭可调  
Two-stage speed off adjustable



### 技术参数 Technical Data

|                                   |  |   |                       |
|-----------------------------------|--|---|-----------------------|
| 最大门宽:<br>Maximim wide:            | 650~850mm  | 开门缓冲:<br>Open buffer:                   | 可选<br>Single cylinder |
| 适用门重:<br>Available weight:        | 25~45kg  | 关门延时:<br>Closing buffer:                | 可选<br>Single cylinder |
| 调速控制:<br>Speed:                   | 四段调速<br>Four stage adjustable speed                  | 适用于DIN左/右手门:<br>Left and right version: | YES                   |
| 最大开门角度:<br>Maximum opening Angle: | 180°   | 闭门力:<br>Maximum opening Angle:          | EN 2/3/4              |
| 定位功能:<br>Location degree:         | 可选定位与不定位<br>location or without location is optional | 寿命:<br>Location degree:                 | > 500,000             |
| 安装方式:<br>Installation:            | 铰链侧/铰链背侧<br>Hinge flank/Hinge back                   | 通过认证:<br>Authentication:                | GA93-2004             |

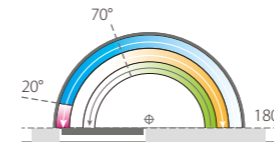
### 功能特点 Products Features



- 适用于有框门、木门等门型
- 弹簧选用进口弹簧钢制造，经热处理强化处理，弹簧不易疲劳，保证闭门器长时间使用后闭门力量不变
- 采用低温防冻液压油，极端温度环境下可保持良好性能
- 采用精密进口密封圈，防止漏油
- 具有缓冲、延时及关门力度可调节功能。
- Type of door: wooden door, metal door and glass door.
- The imported spring steel and heat processing are adopted for the spring, so the spring is hard to fatigue, which ensure the constant closing force after long-term use of the door closer.
- Low-temperature and anti-freezing hydraulic oil is adopted to maintain the good performance at extreme temperature.
- Precise seals, to prevent oil spills.
- Are provided with back check, delay and closing force adjustment functions.

Door Closer Series  
闭门器系列

## DH-BA8CW40-150A



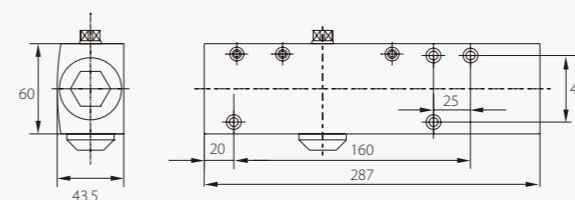
- 1速关闭 1 speed off
  - 2速关闭 2 speed off
  - 开门缓冲 Open Buffer
  - 关门延时(可选) Closing Delayed (Optional)
- 180° -20° 关门阶段  
180° -20° Closing stages  
20° - 0° 闭锁阶段  
20° - 0° latching stages  
两段式速度关闭可调  
Two-stage speed off adjustable



### 技术参数 Technical Data

|                                   |  |   |                       |
|-----------------------------------|--|---|-----------------------|
| 最大门宽:<br>Maximim wide:            | 800~1400mm   | 开门缓冲:<br>Open buffer:                   | 可选<br>Single cylinder |
| 适用门重:<br>Available weight:        | 40~150kg   | 关门延时:<br>Closing buffer:                | 可选<br>Single cylinder |
| 调速控制:<br>Speed:                   | 四段调速<br>Four stage adjustable speed                  | 适用于DIN左/右手门:<br>Left and right version: | YES                   |
| 最大开门角度:<br>Maximum opening Angle: | 180°   | 闭门力:<br>Maximum opening Angle:          | EN 5/6/7              |
| 定位功能:<br>Location degree:         | 可选定位与不定位<br>location or without location is optional | 寿命:<br>Location degree:                 | > 500,000             |
| 安装方式:<br>Installation:            | 铰链侧/铰链背侧<br>Hinge flank/Hinge back                   | 通过认证:<br>Authentication:                | GA93-2004             |

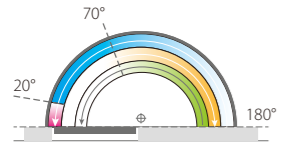
### 功能特点 Products Features



- 适用于有框门、木门等门型
- 弹簧选用进口弹簧钢制造，经热处理强化处理，弹簧不易疲劳，保证闭门器长时间使用后闭门力量不变
- 采用低温防冻液压油，极端温度环境下可保持良好性能
- 采用精密进口密封圈，防止漏油
- 具有缓冲、延时及关门力度可调节功能。
- Type of door: wooden door, metal door and glass door.
- The imported spring steel and heat processing are adopted for the spring, so the spring is hard to fatigue, which ensure the constant closing force after long-term use of the door closer.
- Low-temperature and anti-freezing hydraulic oil is adopted to maintain the good performance at extreme temperature.
- Precise seals, to prevent oil spills.
- Are provided with back check, delay and closing force adjustment functions.

Door Closer Series  
闭门器系列

## DH-BA9CW15-150A



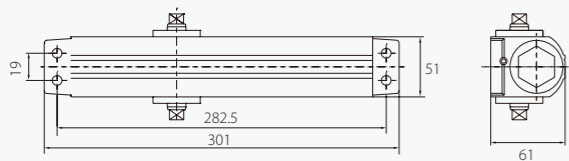
- 1速关闭 1 speed off
- 2速关闭 2 speed off
- 开门缓冲 Open Buffer
- 关门延时 (可选) Closing Delayed (Optional)
- 180° -20° 关门阶段
- 180° -20° Closing stages
- 20° -0° 闭锁阶段
- 20° -0° latching stages
- 两段式速度关闭可调
- Two-stage speed off adjustable



### 技术参数 Technical Data

|                                   |  |   |                       |
|-----------------------------------|--|---|-----------------------|
| 最大门宽:<br>Maximim wide:            | 600~1200mm   | 开门缓冲:<br>Open buffer:                   | 可选<br>Single cylinder |
| 适用门重:<br>Available weight:        | 15~150kg   | 关门延时:<br>Closing buffer:                | 可选<br>Single cylinder |
| 调速控制:<br>Speed:                   | 四段调速<br>Four stage adjustable speed                  | 适用于DIN左/右手门:<br>Left and right version: | YES                   |
| 最大开门角度:<br>Maximum opening Angle: | 180°   | 闭门力:<br>Maximum opening Angle:          | EN 4/5/6              |
| 定位功能:<br>Location degree:         | 可选定位与不定位<br>location or without location is optional | 寿命:<br>Location degree:                 | > 500,000             |
| 安装方式:<br>Installation:            | 铰链侧/铰链背侧<br>Hinge flank/Hinge back                   | 通过认证:<br>Authentication:                | GA93-2004             |

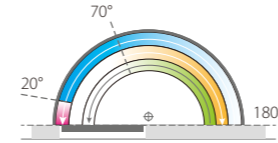
### 功能特点 Products Features



- 适用于有框门、木门等门型
- 弹簧选用进口弹簧钢制造，经热处理强化处理，弹簧不易疲劳，保证闭门器长时间使用后闭门力量不变
- 采用低温防冻液压油，极端温度环境下可保持良好性能
- 采用精密进口密封圈，防止漏油
- 具有缓冲、延时及关门力度可调节功能。
- Type of door: wooden door, metal door and glass door.
- The imported spring steel and heat processing are adopted for the spring, so the spring is hard to fatigue, which ensure the constant closing force after long-term use of the door closer.
- Low-temperature and anti-freezing hydraulic oil is adopted to maintain the good performance at extreme temperature.
- Precise seales, to prevent oil spills.
- Are provided with back check, delay and closing force adjustment functions.

Door Closer Series  
闭门器系列

## DH-BA9CW25-85A



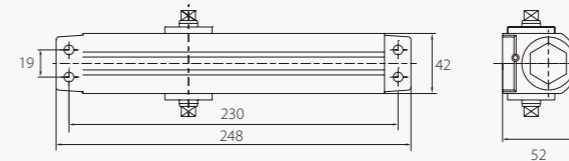
- 1速关闭 1 speed off
- 2速关闭 2 speed off
- 开门缓冲 Open Buffer
- 关门延时 (可选) Closing Delayed (Optional)
- 180° -20° 关门阶段
- 180° -20° Closing stages
- 20° -0° 闭锁阶段
- 20° -0° latching stages
- 两段式速度关闭可调
- Two-stage speed off adjustable



### 技术参数 Technical Data

|                                   |  |   |                       |
|-----------------------------------|--|---|-----------------------|
| 最大门宽:<br>Maximim wide:            | 600~1100mm   | 开门缓冲:<br>Open buffer:                   | 可选<br>Single cylinder |
| 适用门重:<br>Available weight:        | 25~85kg  | 关门延时:<br>Closing buffer:                | 可选<br>Single cylinder |
| 调速控制:<br>Speed:                   | 四段调速<br>Four stage adjustable speed                  | 适用于DIN左/右手门:<br>Left and right version: | YES                   |
| 最大开门角度:<br>Maximum opening Angle: | 180°   | 闭门力:<br>Maximum opening Angle:          | EN 2/3/4              |
| 定位功能:<br>Location degree:         | 可选定位与不定位<br>location or without location is optional | 寿命:<br>Location degree:                 | > 500,000             |
| 安装方式:<br>Installation:            | 铰链侧/铰链背侧<br>Hinge flank/Hinge back                   | 通过认证:<br>Authentication:                | GA93-2004             |

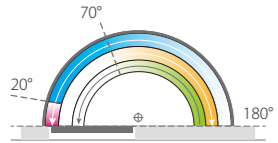
### 功能特点 Products Features



- 适用于有框门、木门等门型
- 弹簧选用进口弹簧钢制造，经热处理强化处理，弹簧不易疲劳，保证闭门器长时间使用后闭门力量不变
- 采用低温防冻液压油，极端温度环境下可保持良好性能
- 采用精密进口密封圈，防止漏油
- 具有缓冲、延时及关门力度可调节功能。
- Type of door: wooden door, metal door and glass door.
- The imported spring steel and heat processing are adopted for the spring, so the spring is hard to fatigue, which ensure the constant closing force after long-term use of the door closer.
- Low-temperature and anti-freezing hydraulic oil is adopted to maintain the good performance at extreme temperature.
- Precise seales, to prevent oil spills.
- Are provided with back check, delay and closing force adjustment functions.

Door Closer Series  
闭门器系列

## DH-BA9CW40-150A



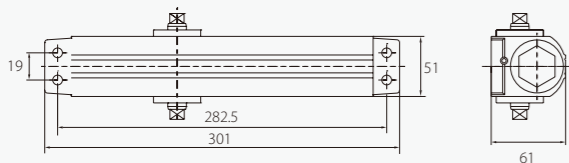
- 1速关闭 1 speed off
- 2速关闭 2 speed off
- 开门缓冲 Open Buffer
- 关门延时 (可选) Closing Delayed (Optional)
- 180° - 20° 关门阶段  
180° - 20° Closing stages
- 20° - 0° 闭锁阶段  
20° - 0° latching stages
- 两段式速度关闭可调  
Two-stage speed off adjustable



### 技术参数 Technical Data

|                                   |  |   |                       |
|-----------------------------------|--|---|-----------------------|
| 最大门宽:<br>Maximum wide:            | 800~1500mm   | 开门缓冲:<br>Open buffer:                   | 可选<br>Single cylinder |
| 适用门重:<br>Available weight:        | 40~150kg   | 关门延时:<br>Closing buffer:                | 可选<br>Single cylinder |
| 调速控制:<br>Speed:                   | 四段调速<br>Four stage adjustable speed                  | 适用于DIN左/右手门:<br>Left and right version: | YES                   |
| 最大开门角度:<br>Maximum opening Angle: | 180°   | 闭门力:<br>Maximum opening Angle:          | EN 4/5/6              |
| 定位功能:<br>Location degree:         | 可选定位与不定位<br>location or without location is optional | 寿命:<br>Location degree:                 | > 500,000             |
| 安装方式:<br>Installation:            | 铰链侧/铰链背侧<br>Hinge flank/Hinge back                   | 通过认证:<br>Authentication:                | GA93-2004             |

### 功能特点 Products Features



- 适用于有框门、木门等门型
- 弹簧选用进口弹簧钢制造，经热处理强化处理，弹簧不易疲劳，保证闭门器长时间使用后闭门力量不变
- 采用低温防冻液压油，极端温度环境下可保持良好性能
- 采用精密进口密封圈，防止漏油
- 具有缓冲、延时及关门力度可调节功能。
- Type of door: wooden door, metal door and glass door.
- The imported spring steel and heat processing are adopted for the spring, so the spring is hard to fatigue, which ensure the constant closing force after long-term use of the door closer.
- Low-temperature and anti-freezing hydraulic oil is adopted to maintain the good performance at extreme temperature.
- Precise seals, to prevent oil spills.
- Are provided with back check, delay and closing force adjustment functions.

# STAINLESS STEEL HANDLE SERIES

拉手系列

## 经典，演绎时尚

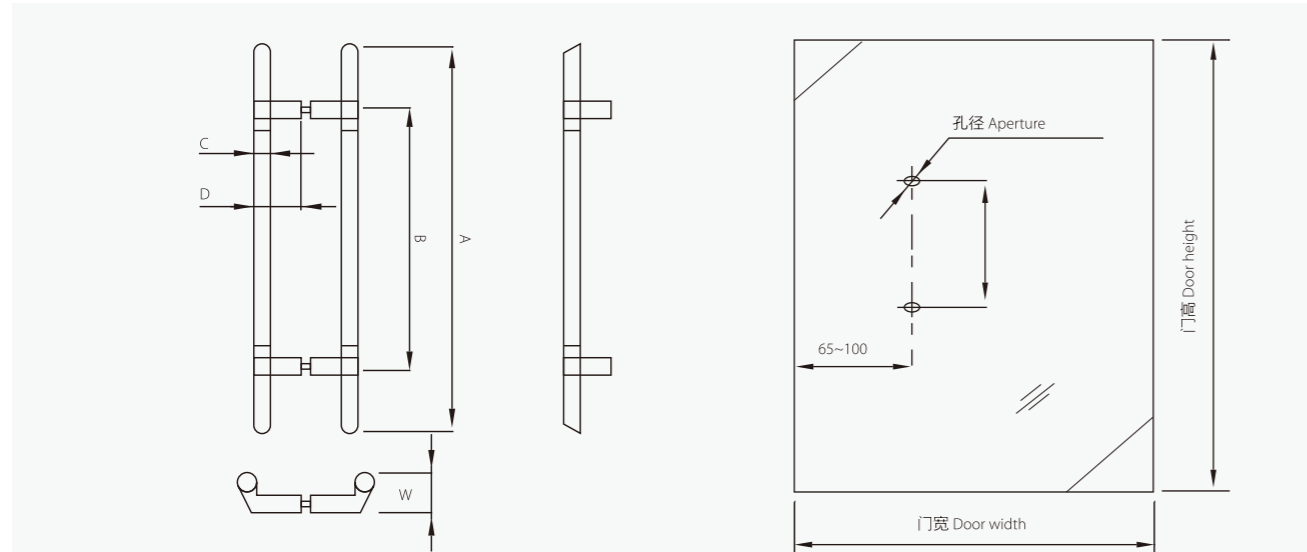
Classics in Terpret Fashion

艺术的优美，巧妙糅合突出线条，以及在工艺技术上的革新，是美感极强的艺术先锋。强调对产品品质的苛刻要求，既风格现代，又细致优美。

Graceful art and prominent lines, And technical innovation, Are recognized as aesthetically artistic pioneers. Highlight the rigorous requirements on quality of products, It looks modern, delicate and graceful.

Handle Series  
拉手系列

安装示意 Scheme of Install Ation



产品尺寸释义  
Definasion for Letter:

|   |                |  |
|---|----------------|--|
| A | 拉手总长           | Handle length  |
| B | 拉手开孔中心距        | Center length  |
| C | 钢管规格           | Steel pipe diameter  |
| D | 拉手外侧至玻璃面距离     | Distance from handle outboard to glass panel                               |
| W | 拉手钢管中心至安装孔中心距离 | Center distance between the main tube and the tube for installation center |

孔径参考值 Aperture Reference

| 安装螺钉 Installed Screw | 无框玻璃门 Frame Glass Door | 木门、有框门 Wooden Door and Frame Door |
|----------------------|------------------------|-----------------------------------|
| M6                   | Φ12                    | Φ8                                |
| M8                   | Φ14                    | Φ10                               |

★注：当门宽超过1000mm，需调整拉手中心至门边距离（65~100）。

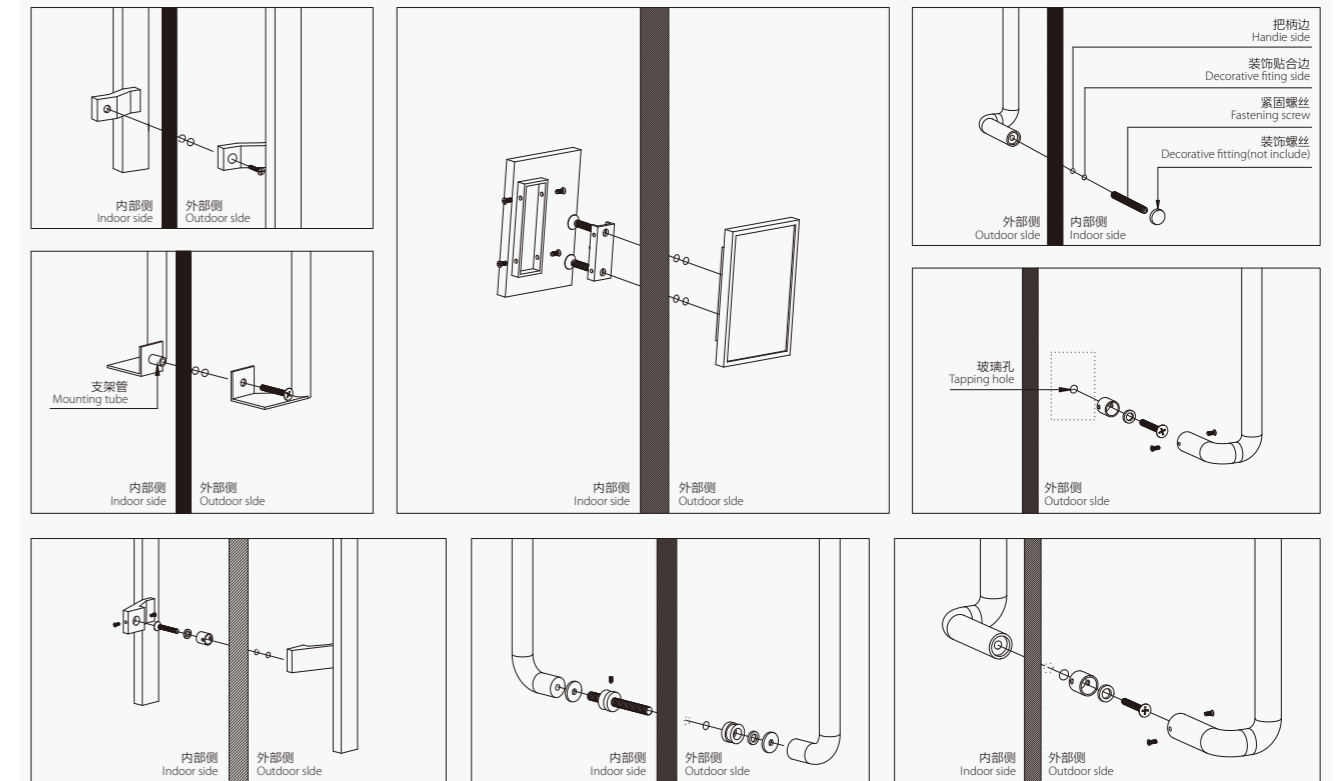
Note: When the width of the door is more than 1000mm, you should adjust the distance between the handle center and door edge (65-100).

产品特点 Products Features

- 款式多样，满足不同风格门型使用；
- 适用于多种门型；
- 规格齐全，可根据工程需要定制长度；
- 适用门扇厚度10-50mm；
- 可定制单边拉手。
- Style variety, to meet the use of different styles of door type
- Suitable for a variety of door type
- Specification complete, can be customized according to the length of the project
- Application of 10-50mm - leaf thickness
- Custom single side handle

Handle Series  
拉手系列

安装方法 Installation Method



维修保养 Repair And Maintenance

需要按照如下规则进行日常有规律的维护保养：

- 请于装修完工并清洁现场后，最后才装拉手，防止施工过程中或清理现场时有磕碰伤碰花或清洁工用含酸碱清洁剂清洁拉手；
- 每周至少将拉手清洁一次；
- 清洁拉手表面时请用柔软的干布抹擦，表面汗油渍或灰尘严重时，可用干布沾上滑石粉用力擦拭表面，即可光亮如新；
- 严禁使用酸碱（含有腐蚀性）清洁剂清洗拉手，这样容易腐蚀金属表面引起氧化生锈。

Need to follow the rules of daily regular maintenance:

- Please be completed in the decoration and cleaning at the scene,the last loaded handle to prevent the construction of the process of clearing up the scene or have knock injury collision with flower or cleaning staff cleaning detergent base of handle.
- 1 times per week for at least handle the surface clean.
- Clean when you handle the surface with a soft dry cloth wipe the surface oil or Khan serious,can be powder coated with ad dry cloth to clean hard surfaces,such as new light can be.
- Must not use acid-base(containing corrosive)be used for cleaning the cleaning handle,so easy to corrosion caused by oxidation of rusty metal surface.



Handle Series  
拉手系列

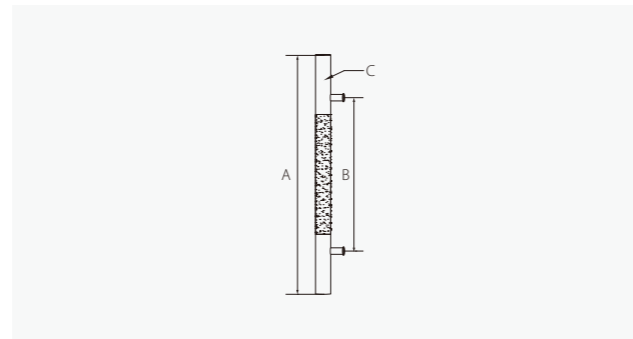
## DH-7003



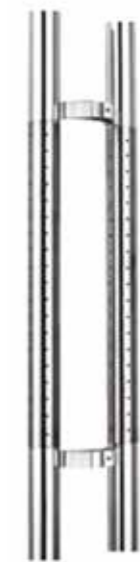
### 技术参数 Technical Data

主要材质: 304不锈钢  
表面处理: 中砂  
适用范围: 玻璃门、板门、框门  
安装螺钉: M8  
规格尺寸: A: 600 B: 400 C:  $\Phi$ 38  
A: 800 B: 600 C:  $\Phi$ 38  
A: 1200 B: 800 C:  $\Phi$ 38

Main material: 304 stainless steel  
Finishes: middle sand  
Scope of Application: glass door, door, door frame  
Installed screw: M8  
Size: A: 600 B: 400 C:  $\Phi$ 38  
A: 800 B: 600 C:  $\Phi$ 38  
A: 1200 B: 800 C:  $\Phi$ 38



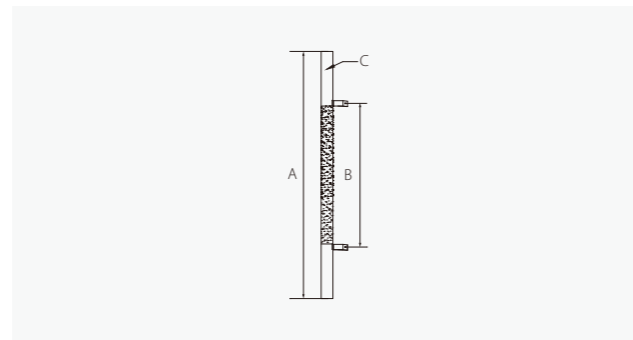
## DH-7005



### 技术参数 Technical Data

主要材质: 304不锈钢  
表面处理: 中砂星点  
适用范围: 玻璃门、板门、框门  
安装螺钉: M8  
规格尺寸: A: 800 B: 500 C:  $\Phi$ 38  
A: 1200 B: 800 C:  $\Phi$ 38

Main material: 304 stainless steel  
Finishes: middle sand star point  
Scope of Application: glass door, door, door frame  
Installed screw: M8  
Size: A: 800 B: 500 C:  $\Phi$ 38  
A: 1200 B: 800 C:  $\Phi$ 38



Handle Series  
拉手系列

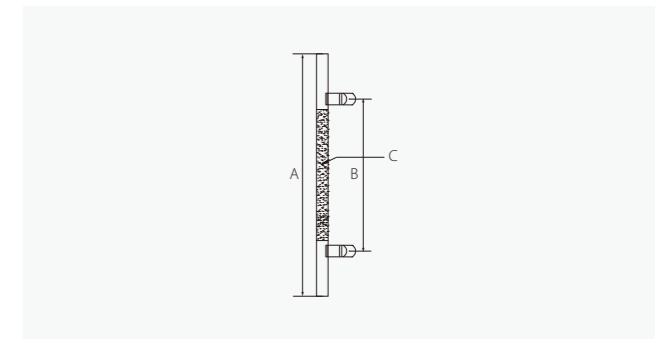
## DH-7010



### 技术参数 Technical Data

主要材质: 304不锈钢  
表面处理: 中砂星点  
适用范围: 玻璃门、板门、框门  
安装螺钉: M8  
规格尺寸: A: 800 B: 500 C:  $\Phi$ 38  
A: 1200 B: 800 C:  $\Phi$ 38

Main material: 304 stainless steel  
Finishes: middle sand star point  
Scope of Application: glass door, door, door frame  
Installed screw: M8  
Size: A: 800 B: 500 C:  $\Phi$ 38  
A: 1200 B: 800 C:  $\Phi$ 38



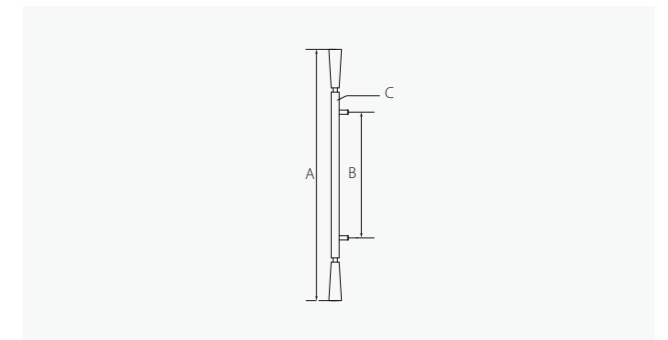
## DH-7015



### 技术参数 Technical Data

主要材质: 304不锈钢  
表面处理: 砂银  
适用范围: 玻璃门、板门、框门  
安装螺钉: M8  
规格尺寸: A: 1200 B: 600 C:  $\Phi$ 38  
A: 1500 B: 800 C:  $\Phi$ 38

Main material: 304 stainless steel  
Finishes: silver sand  
Scope of Application: glass door, door, door frame  
Installed screw: M8  
Size: A: 1200 B: 600 C:  $\Phi$ 38  
A: 1500 B: 800 C:  $\Phi$ 38



Handle Series  
拉手系列

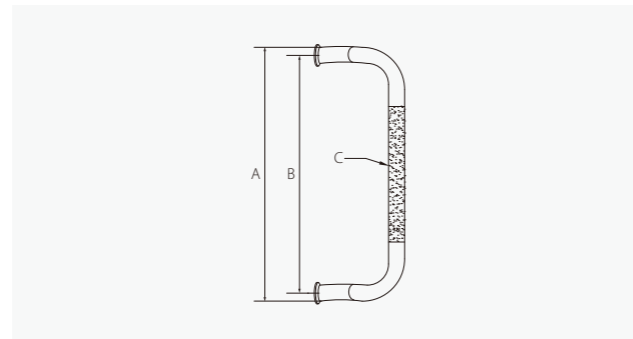
## DH-7074



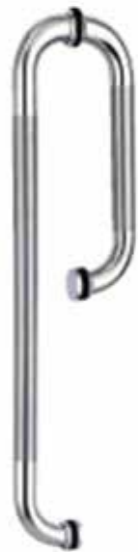
### 技术参数 Technical Data

主要材质: 304不锈钢  
表面处理: 中砂  
适用范围: 玻璃门、板门、框门  
安装螺钉: M8  
规格尺寸: A: 500 B: 468 C:  $\Phi$ 32  
A: 600 B: 562 C:  $\Phi$ 38

Main material: 304 stainless steel  
Finishes: middle sand  
Scope of Application: glass door, door, door frame  
Installed screw: M8  
Size: A: 500 B: 468 C:  $\Phi$ 32  
A: 600 B: 562 C:  $\Phi$ 38



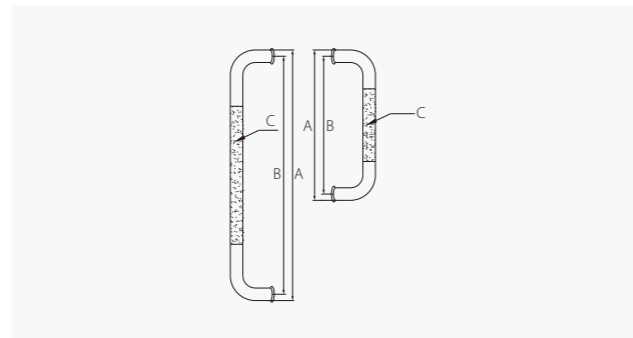
## DH-9004



### 技术参数 Technical Data

主要材质: 304不锈钢  
表面处理: 中砂  
适用范围: 玻璃门、板门、框门  
安装螺钉: M8  
规格尺寸: A: 400×250 B: 381×181 C:  $\Phi$ 19  
A: 400×250 B: 375×225 C:  $\Phi$ 25  
A: 500×300 B: 475×375 C:  $\Phi$ 25

Main material: 304 stainless steel  
Finishes: middle sand  
Scope of Application: glass door, door, door frame  
Installed screw: M8  
Size: A: 400×250 B: 381×181 C:  $\Phi$ 19  
A: 400×250 B: 375×225 C:  $\Phi$ 25  
A: 500×300 B: 475×375 C:  $\Phi$ 25



Handle Series  
拉手系列

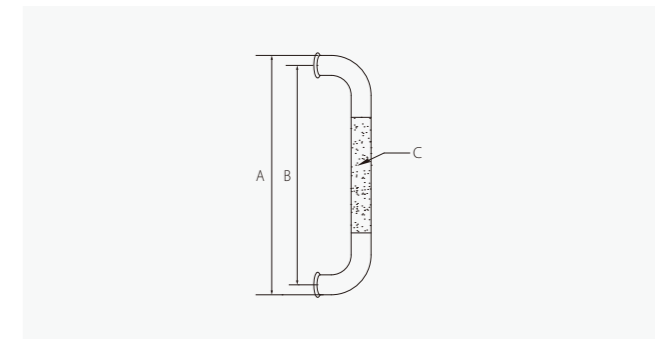
## DH-9011



### 技术参数 Technical Data

主要材质: 304不锈钢  
表面处理: 中砂  
适用范围: 玻璃门、板门、框门  
安装螺钉: M8  
规格尺寸: A: 300 B: 275 C:  $\Phi$ 25  
A: 500 B: 468 C:  $\Phi$ 32

Main material: 304 stainless steel  
Finishes: middle sand  
Scope of Application: glass door, door, door frame  
Installed screw: M8  
Size: A: 300 B: 275 C:  $\Phi$ 25  
A: 500 B: 468 C:  $\Phi$ 32



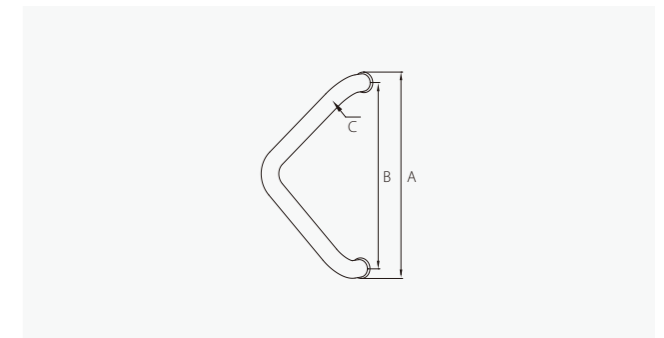
## DH-9015



### 技术参数 Technical Data

主要材质: 304不锈钢  
表面处理: 亮光  
适用范围: 玻璃门、板门、框门  
安装螺钉: M8  
规格尺寸: A: 600 B: 275 C:  $\Phi$ 25

Main material: 304 stainless steel  
Finishes: full light  
Scope of Application: glass door, door, door frame  
Installed screw: M8  
Size: A: 600 B: 275 C:  $\Phi$ 25



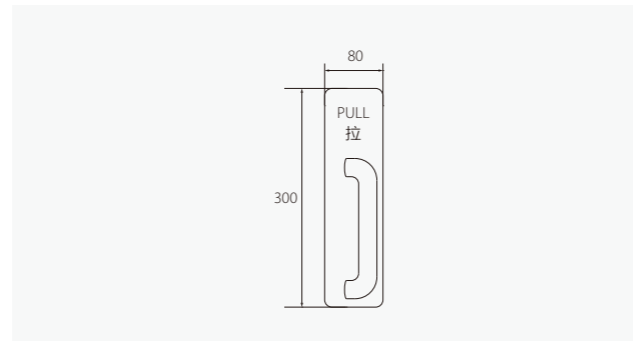
## DH-A03



### 技术参数 / Technical Data

主要材质: 304不锈钢  
表面处理: 砂银、亮光  
适用范围: 玻璃门、板门、框门  
安装螺钉: M4

Main material: 304 stainless steel  
Finishes: silver sand, full light  
Scope of Application: glass door, door, door frame  
Installed screw: M4



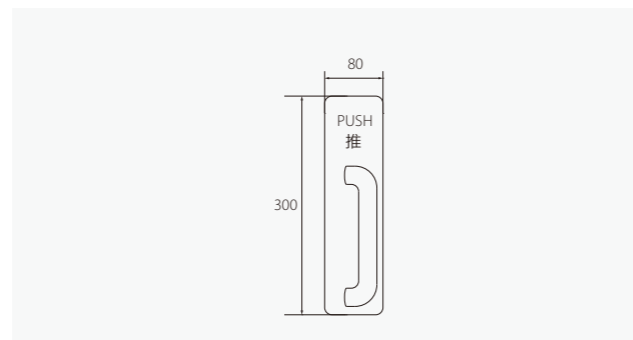
## DH-A04



### 技术参数 / Technical Data

主要材质: 304不锈钢  
表面处理: 砂银、亮光  
适用范围: 玻璃门、板门、框门  
安装螺钉: M4

Main material: 304 stainless steel  
Finishes: silver sand, full light  
Scope of Application: glass door, door, door frame  
Installed screw: M4



# GLASS DOOR CLAMP SERIES

玻璃门夹系列

## 精致，永恒之美

Delicacy is the Everlasting Beauty

坚如磐石的品质，不失精致之美的外观，  
成就完美的防线，拥有一份淡然永恒之美。

High quality and delicate appearance, Create a perfect line of defense,  
Reflecting a kind of simple and everlasting beauty.

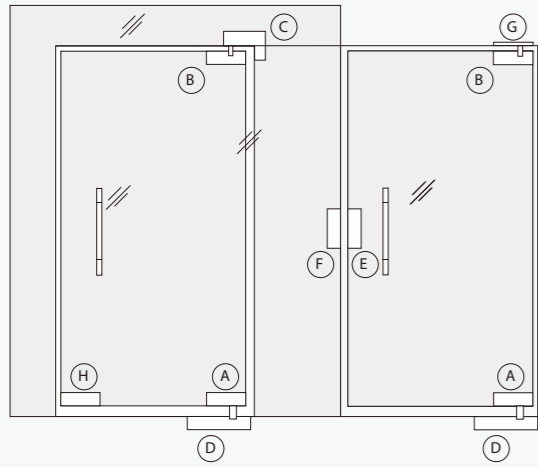


Glass Door Clip Series  
玻璃门夹系列

产品说明 Product Manual

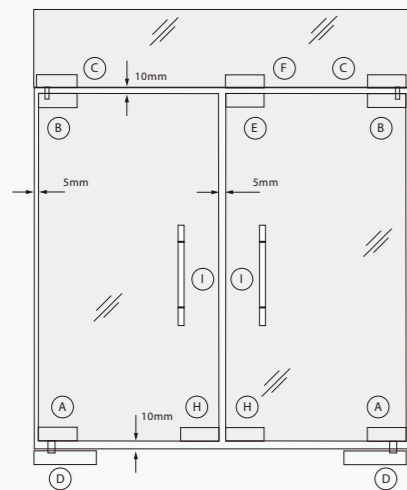
门夹是指玻璃门夹，用于夹持玻璃门配合地弹簧或地轴使门正常运行的五金配件，广泛应用于玻璃门窗、浴室门、淋浴房。

Doors glass doors means for holding the glass doors to spring with its axle or the normal operation of the door hardware accessories, widely used in glass doors and windows, bathroom, shower room.



单开玻璃门五金示意图  
Illustration for Single Glass Action Doors

|   |            |   |
|---|------------|---|
| A | 玻璃门下夹      | Glass door bottom patch                   |
| B | 玻璃门上夹      | Glass door upper patch                    |
| C | 玻璃门曲夹      | Glass door crank clamp                    |
| D | 地弹簧        | Floor spring                              |
| E | 玻璃门侧装或顶装锁夹 | Glass door lock patch or side plate patch |
| F | 玻璃门侧装锁片夹   | Glass door side strike plate patch        |
| G | 上附件        | Upper pivot                               |
| H | 玻璃门底部锁夹    | Glass door boottom lock patch             |



双开玻璃门五金示意图  
Illustration for Double Glass Action Doors

|   |            |   |
|---|------------|---|
| A | 玻璃门下夹      | Glass door bottom patch                   |
| B | 玻璃门上夹      | Glass door upper patch                    |
| C | 玻璃门顶夹      | Glass door top clamp                      |
| D | 地弹簧        | Floor spring                              |
| E | 玻璃门侧装或顶装锁夹 | Glass door lock patch or side plate patch |
| F | 玻璃门侧装锁片夹   | Glass door side strike plate patch        |
| H | 玻璃门底部锁夹    | Glass door boottom lock patch             |
| I | 玻璃门锁       | Glass door lock                           |

产品特点 Products Features

- 内芯采用高强度压铸铝合金，装饰盖采用304不锈钢精密铸造工艺，美观耐用；
- 适用于玻璃厚度10~12mm，可根据工程需求定做非标件，满足中空、夹胶等较厚玻璃使用；
- 备有不同规格下夹头、上夹、曲夹、轴心可与多种地弹簧配合使用；
- 表面处理可选亮光、砂光、钛金可供选择，可根据要求定制。

- The material and core are made of high strength aluminum alloy after casting, and the case is made of stainless steel after stamping.
- It is applicable to frameless toughened glass door with a thickness of 8mm to 12mm.
- Products include different sized lower clip, curve clip, curve clip, axle center, and may be cooperated with imported ground spring for operation.
- Surface colors include polished, full light, sand light and titanium, up to your choice. special color may be provided according to your demand.

Glass Door Clip Series  
玻璃门夹系列

DH-JMJX1

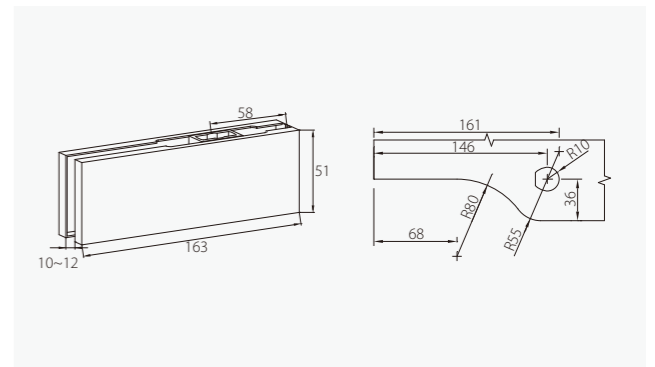
下夹 Lower Clamp



技术参数 Technical Data

外壳材质：201不锈钢  
内芯材质：高强度锌合金  
适用玻璃厚度：8~12mm  
表面处理：砂光、亮光、钛金  
适用范围：装地弹簧的玻璃门

Shell Material: 201 stainless steel  
Inner core material: high strength zinc alloy  
For glass door thickness: 8~12mm  
Finishes: sand light, light, titanium  
Scope of application: the glass door installed floor spring



DH-JMJX2

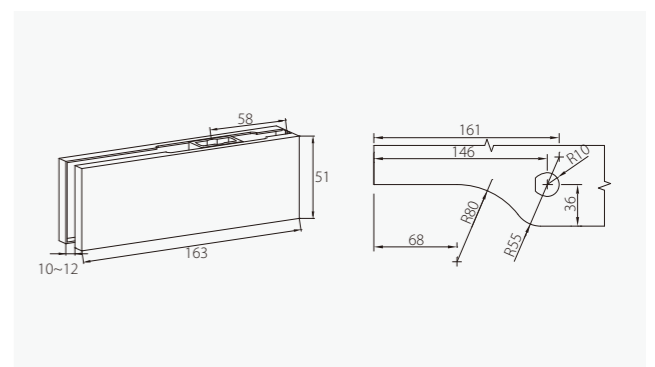
下夹 Lower Clamp



技术参数 Technical Data

外壳材质：304不锈钢  
内芯材质：高强度锌合金  
适用玻璃厚度：8~12mm  
表面处理：砂光、亮光、钛金  
适用范围：装地弹簧的玻璃门

Shell Material: 304 stainless steel  
Inner core material: high strength zinc alloy  
For glass door thickness: 8~12mm  
Finishes: sand light, light, titanium  
Scope of application: the glass door installed floor spring



Handle Series  
拉手系列

## DH-HMJX3

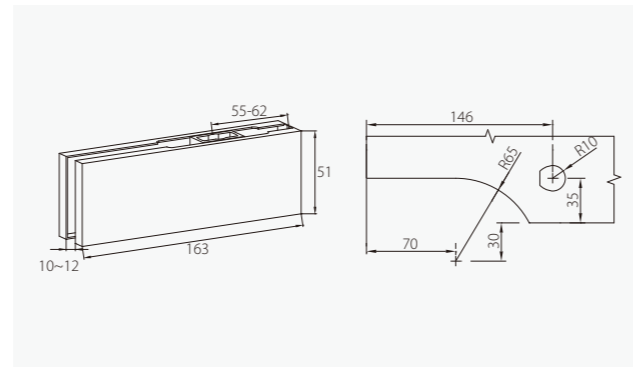
下夹 Lower Clamp



### 技术参数 Technical Data

外壳材质: 304不锈钢  
内芯材质: 精品铸钢  
适用玻璃厚度: 8~12mm  
表面处理: 砂光、亮光、钛金  
适用范围: 装地弹簧的玻璃门

Shell Material: 304 stainless steel  
Inner core material: Fine cast steel  
For glass door thickness: 8~12mm  
Finishes: sand light, light, titanium  
Scope of application: the glass door installed floor spring



## DH-JMJS1

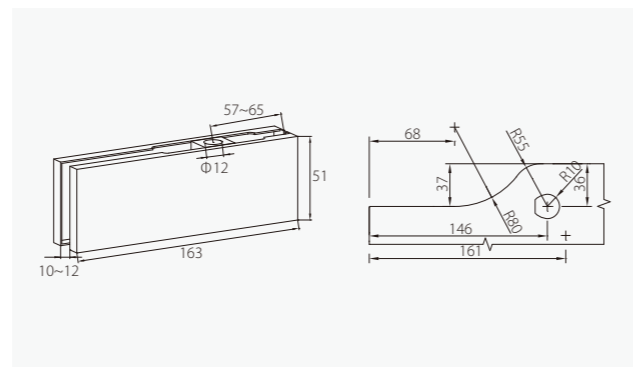
上夹 Upper Clip



### 技术参数 Technical Data

外壳材质: 201不锈钢  
内芯材质: 高强度锌合金  
适用玻璃厚度: 8~12mm  
表面处理: 砂光、亮光、钛金  
适用范围: 装地弹簧的玻璃门

Shell Material: 201 stainless steel  
Inner core material: high strength zinc alloy  
For glass door thickness: 8~12mm  
Finishes: sand light, light, titanium  
Scope of application: the glass door installed floor spring



Handle Series  
拉手系列

## DH-JMJS2

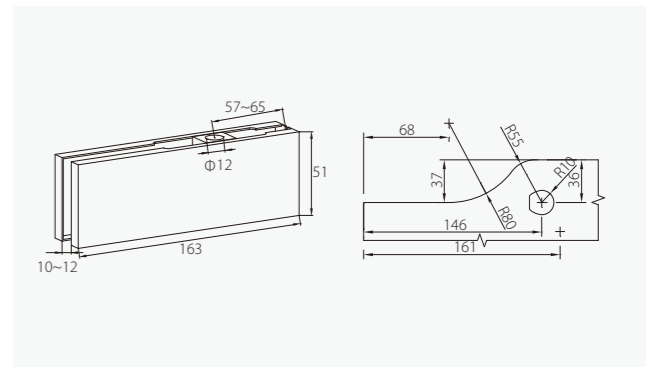
上夹 Upper Clip



### 技术参数 Technical Data

外壳材质: 304不锈钢  
内芯材质: 高强度锌合金  
适用玻璃厚度: 8~12mm  
表面处理: 砂光、亮光、钛金  
适用范围: 装地弹簧的玻璃门

Shell Material: 304 stainless steel  
Inner core material: high strength zinc alloy  
For glass door thickness: 8~12mm  
Finishes: sand light, light, titanium  
Scope of application: the glass door installed floor spring



## DH-HMJS3

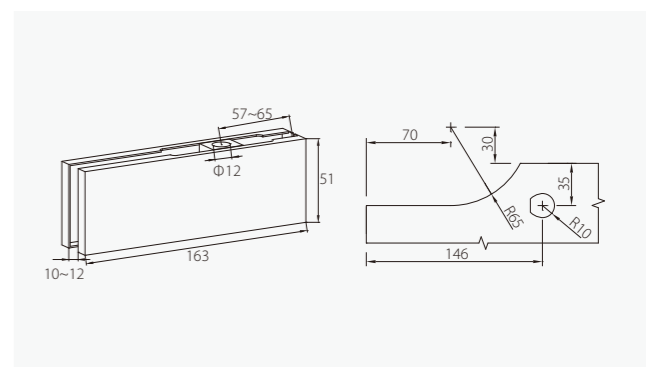
上夹 Upper Clip



### 技术参数 Technical Data

外壳材质: 304不锈钢  
内芯材质: 精品铸钢  
适用玻璃厚度: 8~12mm  
表面处理: 砂光、亮光、钛金  
适用范围: 装地弹簧的玻璃门

Shell Material: 304 stainless steel  
Inner core material: Fine cast steel  
For glass door thickness: 8~12mm  
Finishes: sand light, light, titanium  
Scope of application: the glass door installed floor spring



Handle Series  
拉手系列

## DH-JMJD1

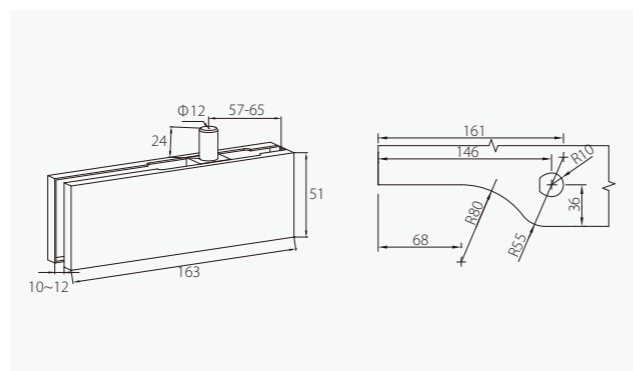
顶夹 Top Clamp



### 技术参数 Technical Data

外壳材质: 201不锈钢  
内芯材质: 高强度锌合金  
适用玻璃厚度: 8~12mm  
表面处理: 砂光、亮光、钛金  
适用范围: 装地弹簧的玻璃门

Shell Material: 201 stainless steel  
Inner core material: high strength zinc alloy  
For glass door thickness: 8~12mm  
Finishes: sand light, light, titanium  
Scope of application: the glass door installed floor spring



## DH-JMJD2

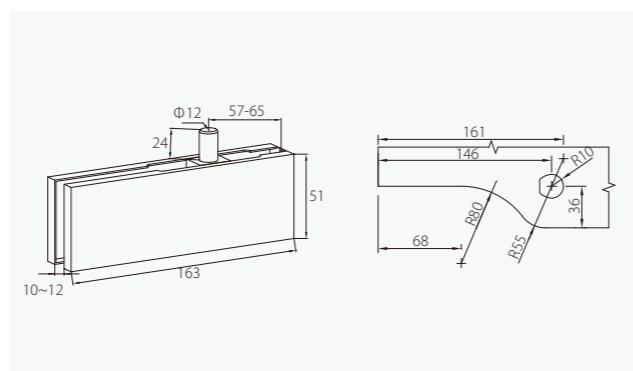
顶夹 Top Clamp



### 技术参数 Technical Data

外壳材质: 304不锈钢  
内芯材质: 高强度锌合金  
适用玻璃厚度: 8~12mm  
表面处理: 砂光、亮光、钛金  
适用范围: 装地弹簧的玻璃门

Shell Material: 304 stainless steel  
Inner core material: high strength zinc alloy  
For glass door thickness: 8~12mm  
Finishes: sand light, light, titanium  
Scope of application: the glass door installed floor spring



Handle Series  
拉手系列

## DH-HMJD3

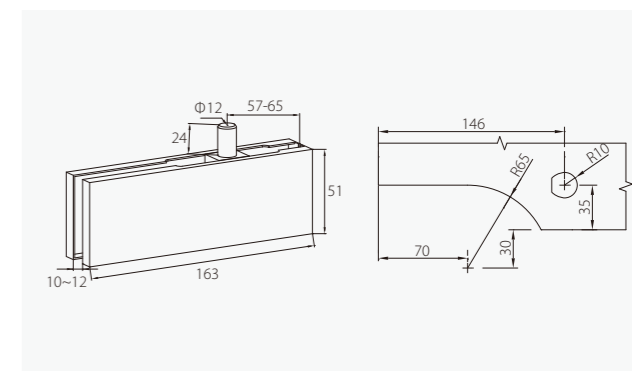
顶夹 Top Clamp



### 技术参数 Technical Data

外壳材质: 304不锈钢  
内芯材质: 精品铸钢  
适用玻璃厚度: 8~12mm  
表面处理: 砂光、亮光、钛金  
适用范围: 装地弹簧的玻璃门

Shell Material: 304 stainless steel  
Inner core material: Fine cast steel  
For glass door thickness: 8~12mm  
Finishes: sand light, light, titanium  
Scope of application: the glass door installed floor spring



## DH-JMJQ1

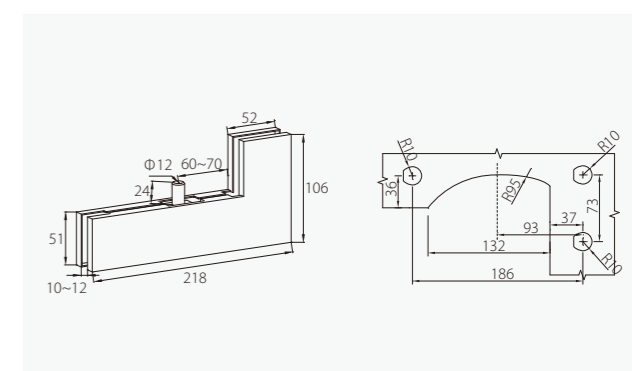
曲夹 Crank Clamp



### 技术参数 Technical Data

外壳材质: 201不锈钢  
内芯材质: 高强度锌合金  
适用玻璃厚度: 8~12mm  
表面处理: 砂光、亮光、钛金  
适用范围: 装地弹簧的玻璃门

Shell Material: 201 stainless steel  
Inner core material: high strength zinc alloy  
For glass door thickness: 8~12mm  
Finishes: sand light, light, titanium  
Scope of application: the glass door installed floor spring



Handle Series  
拉手系列

## DH-JMJQ2

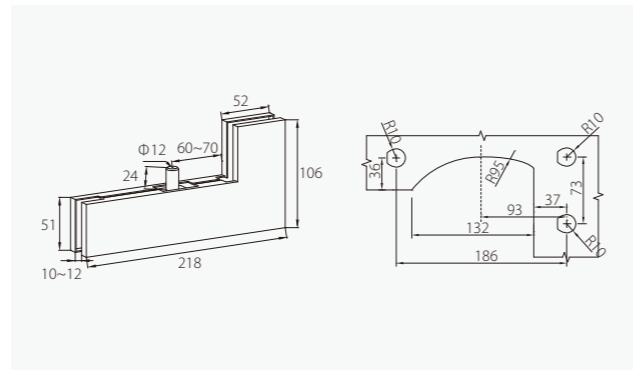
曲夹 Crank Clamp



### 技术参数 Technical Data

外壳材质: 304不锈钢  
内芯材质: 高强度锌合金  
适用玻璃厚度: 8-12mm  
表面处理: 砂光、亮光、钛金  
适用范围: 装地弹簧的玻璃门

Shell Material: 304 stainless steel  
Inner core material: high strength zinc alloy  
For glass door thickness: 8-12mm  
Finishes: sand light, light, titanium  
Scope of application: the glass door installed floor spring



## DH-HMJQ3

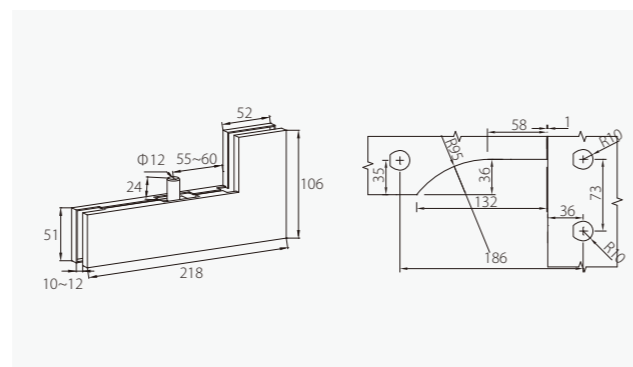
曲夹 Crank Clamp



### 技术参数 Technical Data

外壳材质: 304不锈钢  
内芯材质: 精品铸钢  
适用玻璃厚度: 8-12mm  
表面处理: 砂光、亮光、钛金  
适用范围: 装地弹簧的玻璃门

Shell Material: 304 stainless steel  
Inner core material: Fine cast steel  
For glass door thickness: 8-12mm  
Finishes: sand light, light, titanium  
Scope of application: the glass door of the ground spring



Handle Series  
拉手系列

## DH-JSZ6

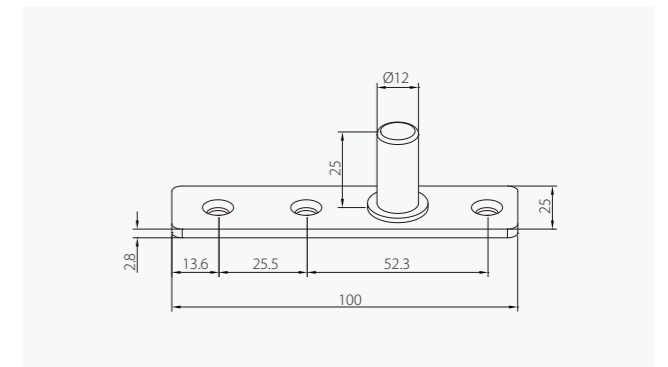
上附件 Upper Pivot



### 技术参数 Technical Data

外壳材质: 201、304不锈钢  
适用范围: 装地弹簧的玻璃门  
安装螺钉: M6

Shell Material: 201、304 stainless steel  
Scope of application: the glass door installed floor spring  
Installed screw: M6



## DH-HDZ1

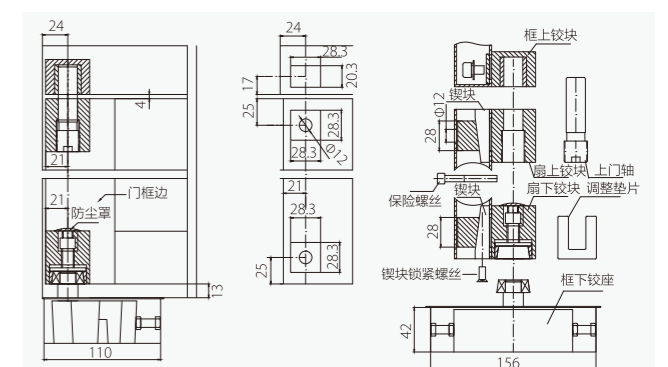
地轴 Pivot hinge



### 技术参数 Technical Data

外形尺寸 (长×宽×高): 156×110×42mm  
承重量 (KG): 100kg  
适用门尺寸 (宽×高): 1100×2500mm  
最大开启度数: 180°  
开启方向: 双向开启型

Dimension (length x width x height): 156x110x42mm  
Bearing the weight (KG): 100 kg  
Apply door size (width x height): 1100x2500mm  
Maximum opening Angle: 180 °  
Speed : Two stage adjustable speeds



# GLASS LOCK CLAMP DOOR LOCK SERIES

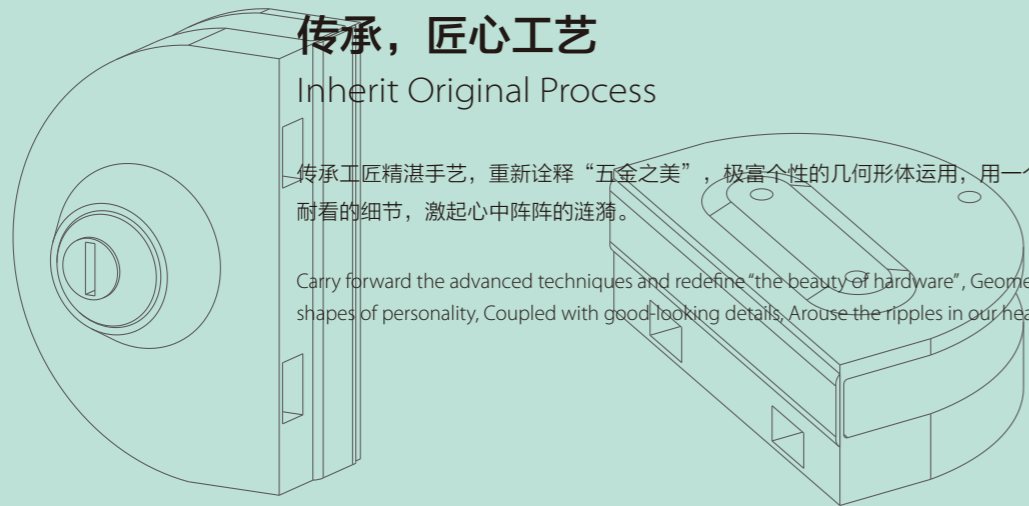
玻璃锁夹、门锁系列

## 传承，匠心工艺

Inherit Original Process

传承工匠精湛手艺，重新诠释“五金之美”，极富个性的几何形体运用，用一个个耐看的细节，激起心中阵阵的涟漪。

Carry forward the advanced techniques and redefine "the beauty of hardware", Geometrical shapes of personality, Coupled with good-looking details, Arouse the ripples in our hearts.



## DH-JDS2

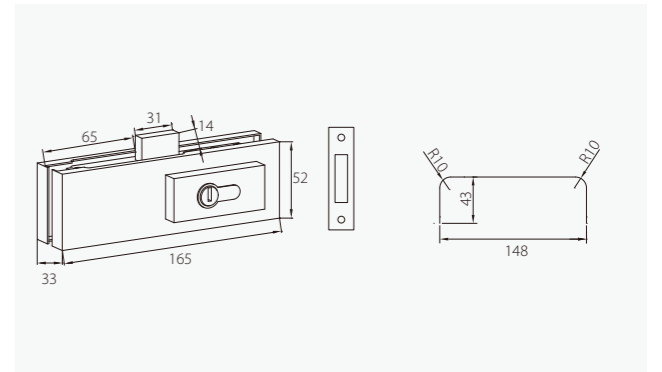
锁夹（方型锁销）  
Lock Clamp ( Square lock pin )



### 技术参数 Technical Data

外壳材质：304不锈钢  
内芯材质：高强度锌合金  
适用玻璃厚度：8-12mm  
表面处理：砂光、亮光、钛金  
适用范围：无框钢化双扇平开型玻璃门

Shell Material: 304 stainless steel  
Inner core material: high strength zinc alloy  
For glass door thickness: 8-12mm  
Finishes: sand light, light, titanium  
Scope of application: Double fan open type glass door with no frame



## DH-JDS3

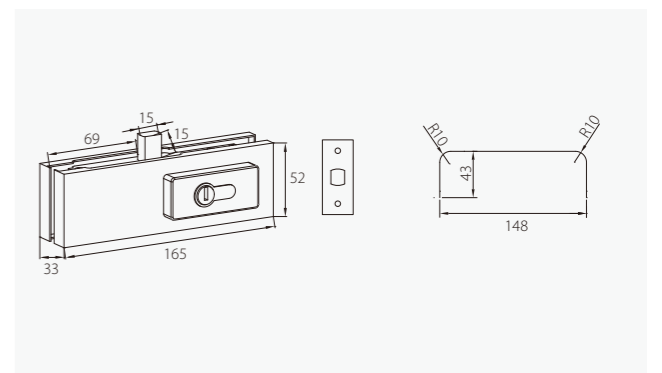
锁夹（圆型锁销）  
Lock Clamp ( Circular lock pin )



### 技术参数 Technical Data

外壳材质：304不锈钢  
内芯材质：高强度锌合金  
适用玻璃厚度：8-12mm  
表面处理：砂光、亮光、钛金  
适用范围：无框钢化双扇平开型玻璃门

Shell Material: 304 stainless steel  
Inner core material: high strength zinc alloy  
For glass door thickness: 8-12mm  
Finishes: sand light, light, titanium  
Scope of application: Double fan open type glass door with no frame





Glass Lock Series  
玻璃锁夹系列

## DH-JDS4

锁夹 (圆型锁销)

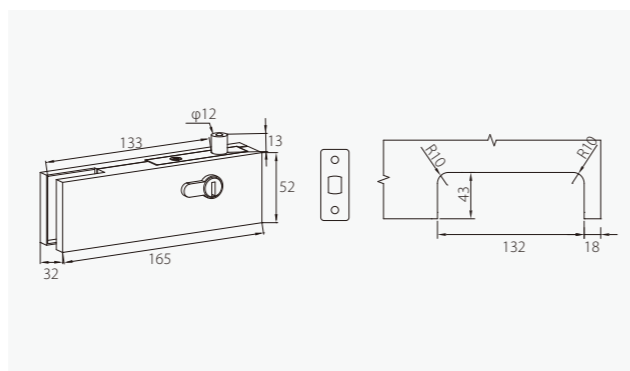
Lock Clamp (Circular lock pin)



### 技术参数 Technical Data

外壳材质: 304不锈钢  
内芯材质: 高强度锌合金  
适用玻璃厚度: 8-12mm  
表面处理: 砂光、亮光、钛金  
适用范围: 无框钢化双扇平开型玻璃门

Shell Material: 304 stainless steel  
Inner core material: high strength zinc alloy  
For glass door thickness: 8-12mm  
Finishes: sand light, light, titanium  
Scope of application: Double fan open type glass door with no frame



## DH-JZS6

铝门锁

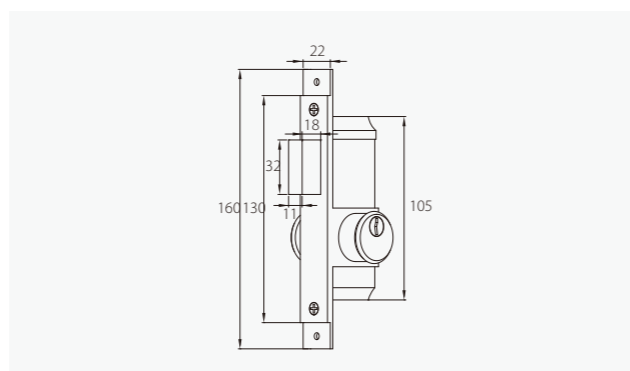
Aluminum Door Lock



### 技术参数 Technical Data

材质: 铜、锌合金、铁  
表面处理: 砂光  
特点: 采用HK插芯锁体安全可靠  
适用范围: 铝合金门  
适用门扇厚度: 52-56mm

Materials: Brass, zinc alloy, Iron  
Finishes: sand light  
Features: Safety for using HK bolt lock body  
Scope of application: Aluminum doors  
Available door thickness: 52-56mm



Profiles Door Lock Series  
型材门锁系列

## DH-JZS7

柱面勾插锁 (单钩)

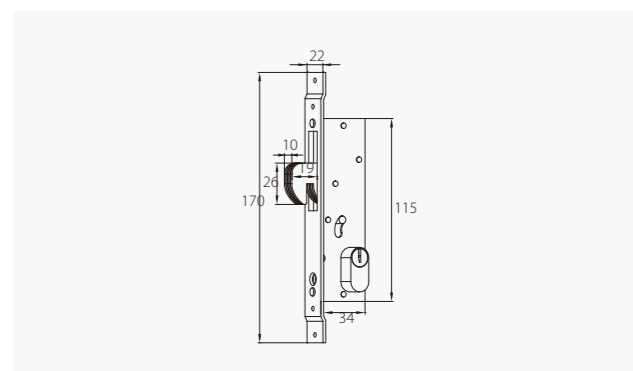
Cylinder hook mortise lock (single hook)



### 技术参数 Technical Data

材质: 铜、锌合金、铁  
表面处理: 砂光  
特点: 采用HK插芯锁体安全可靠  
适用范围: 铝合金门  
适用门扇厚度: 54mm

Materials: Brass, zinc alloy, Iron  
Finishes: sand light  
Features: Safety for using HK bolt lock body  
Scope of application: Aluminum doors  
Available door thickness: 54mm



## DH-JZS8

柱面直插锁 (双直)

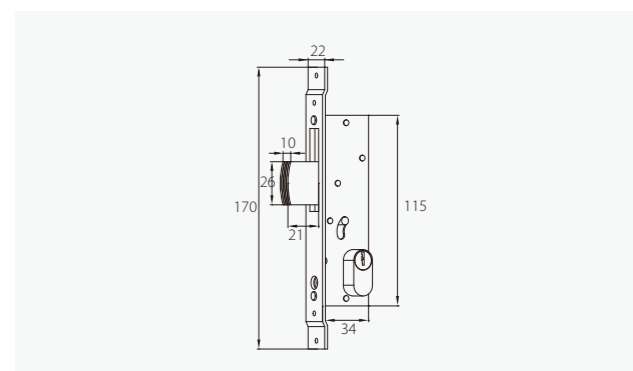
Cylinder straight mortise lock (double straight)



### 技术参数 Technical Data

材质: 铜、锌合金、铁  
表面处理: 砂光  
特点: 采用HK插芯锁体安全可靠  
适用范围: 铝合金门  
适用门扇厚度: 54mm

Materials: Brass, zinc alloy, Iron  
Finishes: sand light  
Features: Safety for using HK bolt lock body  
Scope of application: Aluminum doors  
Available door thickness: 54mm



Glass Door Lock Series  
玻璃门锁系列

## DH-JZS1

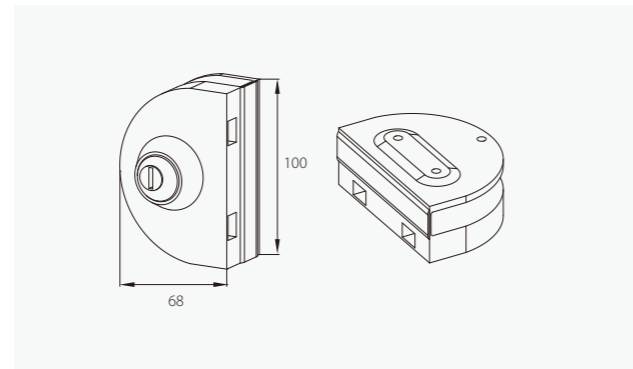
半圆外开双门锁

Semi-circle outside open double lock

### 技术参数 Technical Data

外壳材质: 304不锈钢  
适用玻璃厚度: 10~15mm  
表面处理: 砂光、亮光、钛金  
适用范围: 无框钢化双扇平开型玻璃门

Shell Material: 304 stainless steel  
For glass door thickness: 10~15mm  
Finishes: sand light, light, titanium  
Scope of application: double fan open type glass door without frame



## DH-JZS2

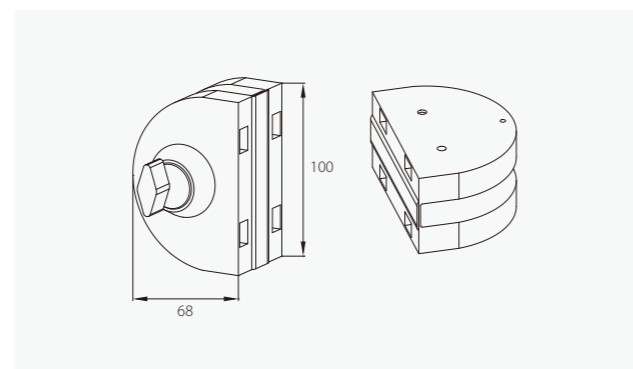
半圆外开双门锁

Semi-circle outside open double lock

### 技术参数 Technical Data

外壳材质: 304不锈钢  
适用玻璃厚度: 10~15mm  
表面处理: 砂光、亮光、钛金  
适用范围: 无框钢化双扇平开型玻璃门

Shell Material: 304 stainless steel  
For glass door thickness: 10~15mm  
Finishes: sand light, light, titanium  
Scope of application: double fan open type glass door without frame



Glass Door Lock Series  
玻璃门锁系列

## DH-JZS3

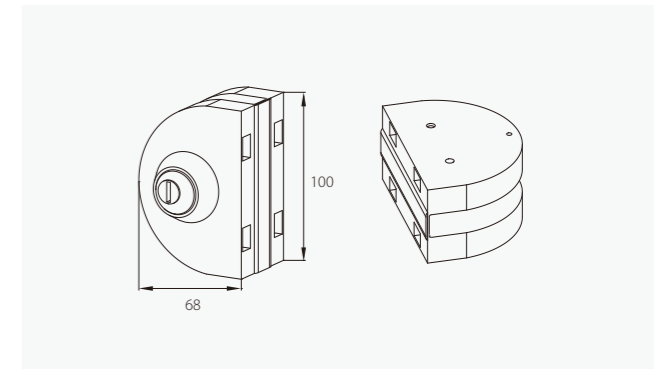
双锁头半圆外开双门锁

Double lock head semi-circle outside open double lock

### 技术参数 Technical Data

外壳材质: 304不锈钢  
内芯材质: 精品铸钢  
适用玻璃厚度: 8~12mm  
表面处理: 砂光、亮光、钛金  
适用范围: 无框钢化双扇平开型玻璃门

Shell Material: 304 stainless steel  
Inner core material: Fine cast steel  
For glass door thickness: 8~12mm  
Finishes: sand light, light, titanium  
Scope of application: Double fan open type glass door with no frame



## DH-JDS1

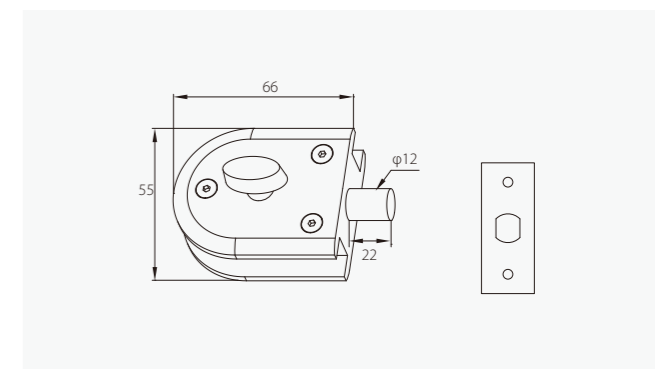
门锁 (精铸微型单插销)

Lock (Precision-cast micro single bolt)

### 技术参数 Technical Data

外壳材质: 304不锈钢  
适用玻璃厚度: 8~12mm  
表面处理: 砂光、亮光、钛金  
适用范围: 无框钢化单扇平开型玻璃门

Shell Material: 304 stainless steel  
For glass door thickness: 8~12mm  
Finishes: sand light, light, titanium  
Scope of application: temperess toughened glass door opened single fan



# AUTOMATIC DOOR DRIVE SERIES

自动感应门系列

## 设计，核心技术

Design is the Core Technology

强大的淋漓尽致，卓越设计因人们的需求而产生；  
闪烁着智慧的光芒，力求以卓越品质为人们的生活服务。

Excellent design rises in response to the demands of people, Sparkling with  
wisdom, We strive to serve people based on our high quality.

## 产品介绍 Product Introduction

### ·人性化设计，安装方便接线及挂门

### ·安全性

高可靠的微波感应器，高性能的电机、安全光线开关，提供了更可靠的安全保证。

### ·多功能

具备全开或半开可调功能，在人多时全开，人少时半开，可减少空调资源浪费，节省能源；

多功能的扩展模块具有传感器、安全光线、遥控功能开关、备用电池、钥匙锁、门禁、有线功能开关、遥控器、双门互锁、火警、楼宇对讲等接线口，形成系统；

微电脑程序化的控制器，其运行参数可灵活调节。

### ·高性能

先进的无刷直流电机配置，智能化的软件，实现自我学习行程，其微电脑具有自动修正机能；

具备禁闭功能，在无信号触发时，强大的禁闭力使门扇出去紧锁状态；

可根据门扇重量或移动的阻抗不同，进行准确的判断，确保稳定动作；

### ·质量保证，通过国际质量标准检测

### · People-friendly design is convenient for hanging

### · Safety

Reliable microwave sensor, high performance motor and light beam safety switch make it safer.

### · Multi-function

It is equipped with wide-open or half-open function. It is wide-open when there are many people and it is half-open when there are few people. It aims to reduce air-conditioner resource waste and save energy.

Multi-functional extended module is equipped with many connection ports including sensor, safety light beam, remote control switch, standby battery, key lock, entrance guard, cable function switch, remote-controller, two-door interlocking, fire alarm and building talk-back forming a system.

Operating parameter of microcomputer programmed controller can be adjusted flexibly.

### · High performance

Advanced brushless direct current motor and intelligent software make it possible for self-learning. The microcomputer is equipped with automatic correction function,

And confinement function. Strong confinement power keeps door leaf in lock while no signal is triggered.

It also makes accurate judgment according to the weight of door leaf or impedance of movement so as to ensure stable movement.

### · Quality guarantee. It has passed the international quality standard testing



Automatic Door Drive Series  
自动感应门系列

## DH-ZDPK2

地理式单向/双向自动开门机

Embedded Two-way Automatic Door Machine



### 功能特点 Products Features

- 微电脑控制器运用尖端技术，能够快速、准确检测门扇情况（大小、重量），设定最佳运行参数，保持最佳运行状态；
- 采用直流无刷电机、力矩大、寿命长、效率高、电机加装电磁吸铁，启动时，锁门力可达100kg；
- 减速箱采用蜗旋蜗杆、斜齿传动、转动平稳。实现超静音运转；
- 配有遥控控制点，方便实现正常使用和特殊使用的切换；
- 配有备用电源，停电时门机可以自动运行长达5小时；
- 安装方便，埋于地下，双向回归，零位可通过控制系统调节到同一原位点；
- 可选配门禁，远程监控感应器。

- with sophisticated technology, the microcomputer controller ensures fast and accurate detection of the door leaf ( such as its size and weight ), and sets its optimal operating parameters to maintain the optimal running status.
- with dc brushless motor is applied, it is high efficient with large torque and long service life. In addition, the motor is assembled with an electromagnet. when the door is being locked, the locking force can be up to 100kg.
- The worm and gear are assembled in the reduction gearbox to realize steady running and ultra-quiet operation with helical teeth transmission.
- Remote control points are designed to achieve convenient switch from normal use to special function.
- Standby power equipped enables the door motor to automatically run up to 5 hours when the power supply is cut off.
- It is convenient to install and buried under the ground with two-way regression, and the zero position can be adjusted to the same home position through the control system.
- The door control is optional with remote monitoring the sensor.

### 产品说明 Product Manual

该型号属于地理式开门机（电动地弹簧），只具备有双向开启功能、关门位置要有门碰条或有门顶的安装位置。电机属于直流碳刷电机、各参数调节属于电位计模拟调节（调试相对简单）、门扇开启角度90° -- 130°、整机电源电压要求(220V、50HZ)。可以提供外部电锁电源接口、安装时电机与控制器的最远距离10米、附件标配有遥控器，如需要其他门禁不在标配范围内。

This model belongs to the buried open door machine (electric ground spring), only has a two-way opening function, the door position to have a door bar or door top installation position. The motor belongs to the DC brush motor, the adjustment of the parameters belongs to analog potentiometer adjustment (debugging is relatively simple), the door opening angle of 90° - 130°, the machine power supply voltage requirements (220V, 50HZ). Can provide external power supply lock interface, The maximum distance between the motor and the controller during installation is 10 meters. The remote control is provided as standard on the accessory. If other access control is required, it is not included in the standard range.

### 性能参数 Specification Graph

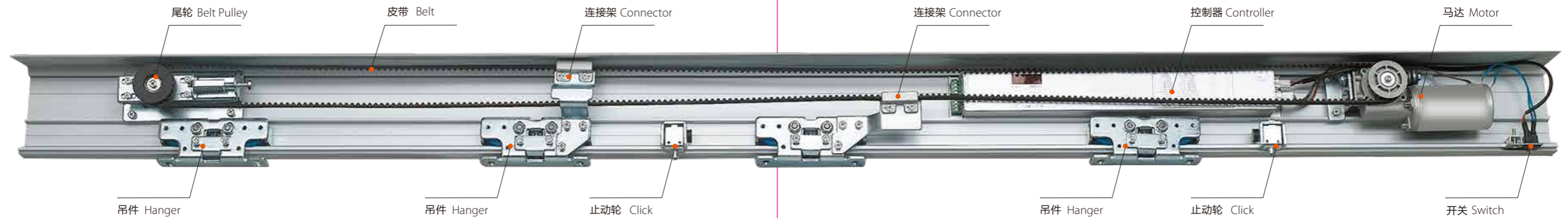
|  |   |
|--|---|
| 最大门宽<br>Maximum wide                               | 1400mm  |
| 最大门重<br>Available weight                           | 150kg   |
| 主机尺寸<br>Dimension                                  | 340 × 200 × 80  |
| 使用寿命<br>Service life                               | > 50万次<br>> 500 Thousand Times  |
| 工作环境温度<br>Working ambient temperature              | -20℃ ~ 50℃  |
| 输入功率静态/最大<br>Input power static/maximum            | 6W/45W (平均率)<br>6W/45W (Average Power)  |
| 电源<br>Power supply                                 | AC220, AC14V  |
| 工作程序<br>Working procedure                          | 开门信号 → 控制开锁 → 开门 → 刹停门 → 开门保持 → 缓冲 → 锁门<br>Opening Signal → Unlocking Control → Open → Brake The Door → Hold Open → Automatic Close → Buffer → Lock |
| 自动开门角度<br>Automatic opening angle                  | 双向90° 可调<br>Adjustable bi-wards,90°   |
| 开门距离<br>Opening hold                               | 0~30秒可调<br>Adjustable 0~30 seconds  |
| 开门速度<br>Opening rate                               | 3~7秒可调<br>Adjustable 3~7 seconds  |
| 关门速度<br>Closing rate                               | 3~7秒可调<br>Adjustable 3~7 seconds  |
| 遥控控制功能<br>Remote-control functions                 | 无限密码遥控开门，遥控关闭<br>Cipher code wireless remote-control opening, remote-control opening  |
| 自动过载保护<br>Automatic protection against overloading | 有，采用电子传感系统保护电路<br>Applied,using an electronic sensing system to protect the circuit   |
| 智能障碍保护<br>Intelligent protection against obstacle  | 有，采用旋转门自动保护系统<br>Applied,using an automatic revolving door protection system  |
| 遇障碍报警<br>Alarming against error                    | 无<br>Unapplied  |
| 智能过热保护<br>Intelligent overheating protection       | 有，采用电子电路自动保护<br>Applied,using an automatic protection circuit   |
| 关门缓冲功能<br>Closing buffer                           | 有<br>Applied  |
| 控制电锁功能<br>Electric lock control                    | 有<br>Applied  |
| 锁门力度吊脚功能<br>Locking torque adjustment              | 有<br>Applied  |
| 开门缓冲功能<br>Opening buffer                           | 有<br>Applied  |

Automatic Door Drive Series  
自动感应门系列

# DH-ZDPY2

平移感应门

Automatic Sliding Door System

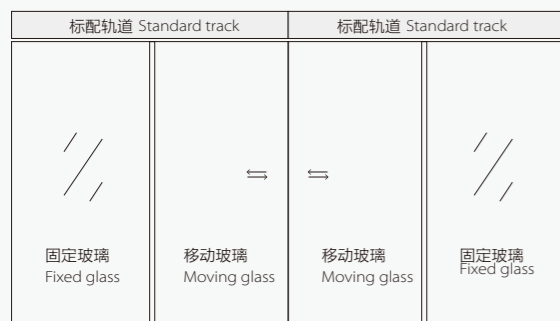


## 功能特点 Products Features

- 微电脑控制器运用尖端技术，智能控制和机械制造
- 智能化控制系统，各类参数可灵活调节
- 超低噪音和动力装置，安装简单方便
- 圆形一体化直流无刷电机与减速机，效率高，力矩大，寿命长
- 自锁功能，无需电锁，安全可靠
- 全功能遥控装置
- 高效率开关电源，使用电压100V-240V

- Intelligent control by microcomputers and advanced machinery manufacturing.
- With intelligent control system, its various parameters can be flexibly adjusted.
- With unique digital display window, various parameters are clear to show.
- Equipped with square integrated dc brushless motor and reduction gearbox, is high efficiency with large torque and long service life.
- With self-locking function, it is safe and reliable, not necessary to fix the electric lock.
- Equipped with full-function remote control device.
- Equipped with efficient switching power supply, whose voltage ranges from 100V to 240V.

## 产品说明 Product Manual



一般门分单开与双开，通常做法是两扇固定，两扇移动。活动门跟固定门会有3-5cm的重叠部分。  
移动玻璃宽度：门洞总宽 ÷ 4  
固定玻璃宽度：门洞总宽 ÷ 4 + 5cm (门之间重叠部分)

The general branch of a single open and double open, the usual practice is two fixed, two mobile. Activities door with a fixed door will have 3-5cm overlapping parts.  
Moving glass width: total door width ÷ 4  
Fixed glass width: total door width ÷ 4 + 5 cm (overlap between the door)

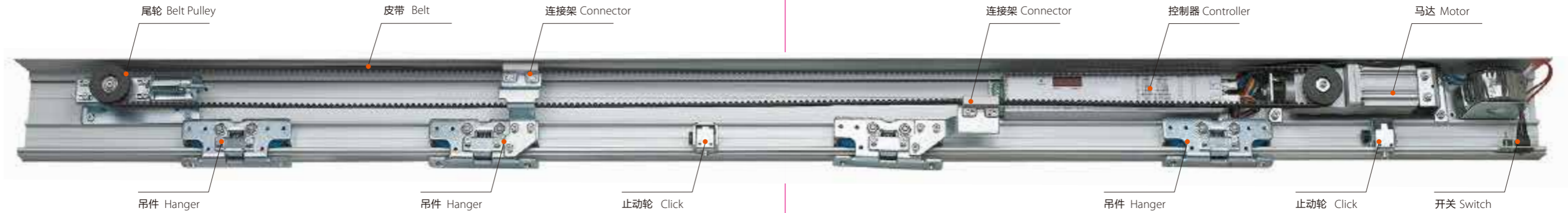
## 性能参数 Specification Graph

| 滑动类型<br>Sliding Type                  | 单扇门<br>Single Door                                  | 双扇门<br>Double Door |
|---------------------------------------|---|--------------------|
| 承载重量<br>Loading Capacity              | ≤ 100kg   | ≤ 2 x 100kg        |
| 适用门宽<br>Door Width                    | 700 ~ 1500mm  | 650 ~ 1350mm       |
| 电源电压<br>Voltage to Power Source       | AC220 ~ 240V  | 50 ~ 60Hz          |
| 传感形式<br>Sensor Type                   | 适合各类型模式感应器 Compatible with sensors of various modes |                    |
| 控制器<br>Controller                     | 微电脑程序控制器 Programmed Microcomputer                   |                    |
| 开门速度<br>Opening Rate                  | 200 ~ 450mm/s (可调节)                                 |                    |
| 闭门速度<br>Closing Rate                  | 200 ~ 450mm/s (可调节)                                 |                    |
| 开放时间<br>Time Needed for Opening       | 0 ~ 9s  |                    |
| 手动开合力<br>Manually Opening and Closing | < 40N   | < 50N              |
| 运行噪音<br>Noise While Running           | ≤ 55dB  |                    |
| 环境湿度<br>Environmental Humidity        | - 20°C ~ + 50°C                                     |                    |
| 使用寿命<br>Working Lifetime              | > 500,000 次 Cycles                                  |                    |
| 感应高度<br>Induction is Highty           | ≤ 3.2mm   |                    |

Automatic Door Drive Series  
自动感应门系列

# DH-ZDPY3

平移感应门  
Automatic Sliding Door System

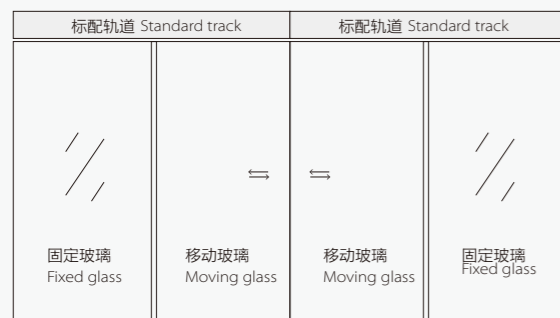


## 功能特点 Products Features

- 微电脑控制器运用尖端技术，智能控制和机械制造
- 智能化控制系统，各类参数可灵活调节
- 超低噪音和动力装置，安装简单方便
- 圆形一体化直流无刷电机与减速机，效率高，力矩大，寿命长
- 自锁功能，无需电锁，安全可靠
- 全功能遥控装置
- 高效率开关电源，使用电压100V-240V

- Intelligent control by microcomputers and advanced machinery manufacturing.
- With intelligent control system, its various parameters can be flexibly adjusted.
- With unique digital display window, various parameters are clear to show.
- Equipped with square integrated dc brushless motor and reduction gearbox, is high efficiency with large torque and long service life.
- With self-locking function, it is safe and reliable, not necessary to fix the electric lock.
- Equipped with full-function remote control device.
- Equipped with efficient switching power supply, whose voltage ranges from 100V to 240V.

## 产品说明 Product Manual



一般门分单开与双开，通常做法是两扇固定，两扇移动。活动门跟固定门会有3-5cm的重叠部分。  
移动玻璃宽度：门洞总宽 ÷ 4  
固定玻璃宽度：门洞总宽 ÷ 4 + 5cm (门之间重叠部分)

The general branch of a single open and double open, the usual practice is two fixed, two mobile. Activities door with a fixed door will have 3-5cm overlapping parts.  
Moving glass width: total door width ÷ 4  
Fixed glass width: total door width ÷ 4 + 5 cm (overlap between the door)

## 性能参数 Specification Graph

| 滑动类型<br>Sliding Type                  | 单扇门<br>Single Door                                  | 双扇门<br>Double Door |
|---------------------------------------|---|--------------------|
| 承载重量<br>Loading Capacity              | ≤ 100kg   | ≤ 2 x 100kg        |
| 适用门宽<br>Door Width                    | 700 ~ 1500mm  | 650 ~ 1350mm       |
| 电源电压<br>Voltage to Power Source       | AC220 ~ 240V  | 50 ~ 60Hz          |
| 传感形式<br>Sensor Type                   | 适合各类型模式感应器 Compatible with sensors of various modes |                    |
| 控制器<br>Controller                     | 微电脑程序控制器 Programmed Microcomputer                   |                    |
| 开门速度<br>Opening Rate                  | 200 ~ 450mm/s (可调节)                                 |                    |
| 闭门速度<br>Closing Rate                  | 200 ~ 450mm/s (可调节)                                 |                    |
| 开放时间<br>Time Needed for Opening       | 0 ~ 9s  |                    |
| 手动开合力<br>Manually Opening and Closing | < 40N   | < 50N              |
| 运行噪音<br>Noise While Running           | ≤ 55dB  |                    |
| 环境湿度<br>Environmental Humidity        | - 20°C ~ + 50°C                                     |                    |
| 使用寿命<br>Working Lifetime              | > 500,000 次 Cycles                                  |                    |
| 感应高度<br>Induction is Highty           | ≤ 3.2mm   |                    |

Automatic Door Drive Series  
自动感应门系列

## DH-ZDPY4

平移感应门  
Automatic Sliding Door System



### 功能特点 Products Features

- 微计算机智能控制和先进的机械制造
  - 智能化控制系统，各类参数可灵活调节
  - 超低噪音动力装置，安装简单方便
  - 圆形直流无刷电机与减速机，力矩大
  - 自锁功能，无需电锁，安全可靠
  - 全功效遥控装置
- Intelligent control by microcomputers and advanced machinery manufacturing.
  - With intelligent control system, its various parameters can be flexibly adjusted.
  - With unique digital display window, various parameters are clear to show.
  - Equipped with square integrated dc brushless motor and reduction gearbox, is high efficiency with large torque and long service life.
  - With self-locking function, it is safe and reliable, not necessary to fix the electric lock.
  - Equipped with full-function remote control device.



### 性能参数 Specification Graph

| 滑动类型<br>Sliding Type                  | 单扇门<br>Single Door                                  | 双扇门<br>Double Door |
|---------------------------------------|---|--------------------|
| 承载重量<br>Loading Capacity              | ≤ 150kg   | ≤ 2 x 150kg        |
| 适用门宽<br>Door Width                    | 700 ~ 1500mm  | 650 ~ 1350mm       |
| 电源电压<br>Voltage to Power Source       | AC220 ~ 240V  | 50 ~ 60Hz          |
| 传感形式<br>Sensor Type                   | 适合各类型模式感应器 Compatible with sensors of various modes |                    |
| 控制器<br>Controller                     | 微电脑程序控制器 Programmed Microcomputer                   |                    |
| 开门速度<br>Opening Rate                  | 200 ~ 450mm/s (可调节)                                 |                    |
| 闭门速度<br>Closing Rate                  | 200 ~ 450mm/s (可调节)                                 |                    |
| 开放时间<br>Time Needed for Opening       | 0 ~ 9s  |                    |
| 手动开合力<br>Manually Opening and Closing | < 40N   | < 50N              |
| 运行噪音<br>Noise While Running           | ≤ 55dB  |                    |
| 环境湿度<br>Environmental Humidity        | - 20℃ ~ + 50℃                                       |                    |
| 使用寿命<br>Working Lifetime              | > 500,000 次 Cycles                                  |                    |
| 感应高度<br>Induction is Highy            | ≤ 3.2mm   |                    |

DRAHO Hardware for Aluminum Window&door  
展宏铝门窗五金

|  |  |   |
|--|--|---|
| <p>内开执手系列<br/>Inward-opening Handle Series</p>                            | <p>外开执手系列<br/>Bottom-hung Handle Series</p>         | <p>方轴执手系列<br/>Square Shaft Handle Series</p>                          |
| <p>七字执手、联动执手系列<br/>7 Handle Linkage Series</p>                           | <p>传动系列<br/>Drive Series</p>                       | <p>锁点、锁扣、提升块系列<br/>Lock Point, Lock Catch, Lifting Block Series</p>  |
| <p>月牙锁系列<br/>Crescent Lock Series</p>                                   | <p>滑撑、风撑系列<br/>Sling Stay, Wind Brace Series</p>  | <p>推拉锁系列<br/>Push-pull Lock Series</p>                              |
| <p>门执手、锁芯、门扣板系列<br/>Door Handle, Lock Cylinder, Door Gusset Series</p>  | <p>滑轮、门插销系列<br/>Roller, Door Bolt Series</p>      | <p>滑轮、门插销系列<br/>Roller, Door Bolt Series</p>                        |

DRAHO Bathroom Hardware  
展宏卫浴五金

|  |   |   |
|--|---|---|
| <p>玻璃门合页系列<br/>Glass Door Hinge Series</p>  | <p>固定夹系列<br/>Securing Clip Series</p>    | <p>拉手系列<br/>Handle Series</p>            |
| <p>拉手系列<br/>Handle Series</p>              | <p>支撑杆系列<br/>Support Bar Series</p>     | <p>平开转轴件系列<br/>Handle Series</p>        |
| <p>扶手系列<br/>Armrest Series</p>            | <p>挂件系列<br/>Pendant Series</p>         | <p>挂件系列<br/>Pendant Series</p>         |
| <p>胶条系列<br/>Tape Series</p>               | <p>挂篮系列<br/>Hanging Basket Series</p>  | <p>化妆镜系列<br/>Makeup Mirror Series</p>  |